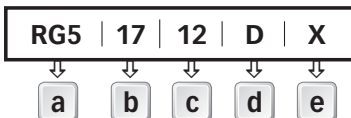


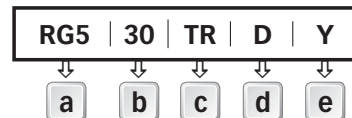


### HOW TO IDENTIFY THE WINDLASS THROUGH THE CODE:

1° EXAMPLE:  
RG51712DX



2° EXAMPLE:  
RG530TRDY



a

**Name of the line:**  
[ RG5 ] = base in  
stainless steel  
with chain pipe

b

**Motor output:**  
[ 17 ] = 1700 W  
[ 20 ] = 2000 W  
[ 23 ] = 2300 W  
[ 30 ] = 3000 W

c

**Motor supply voltage:**  
[ 12 ] = 12 V  
[ 24 ] = 24 V  
[ TR ] = 230 V / 400 V

d

**Drum:**  
[ D ] = with drum  
[ - ] = without drum

d

**Chain pipe:**  
[ X ] = right chain pipe  
[ Y ] = left chain pipe

MODEL	RG5 X/Y - / D				
MOTOR OUTPUT	1700W	1700W	2000W	2300W	3000W
Motor supply voltage	12V	24V	24V	24V	
Maximum pull	1100 Kg (2425.1 lb)	1200 Kg (2645.5 lb)	1260 Kg (2777.8 lb)	2400 Kg (5291.1 lb)	3100 Kg (6834.3 lb)
Maximum working load	470 Kg (1036.2 lb)	570 Kg (1256.6 lb)	750 Kg (1653.5 lb)	850 kg (1873.9 lb)	1200 kg (2645.5 lb)
Working load	155 Kg (341.7 lb)	190 Kg (418.9 lb)	250 kg (551.1 lb)	285 Kg (628.3 lb)	400 kg (881.8 lb)
Current absorption @ working load <sup>(1)</sup>	175 A	100 A	115 A	120 A	145 A
Maximum chain speed <sup>(2)</sup>	36,1 m/mm (118,4 ft/min)	38,3 m/min (125.6 ft/min)	41,2 m/min (135.2 ft/min)	41,2 m/min (135.2 ft/min)	39,2 m/min (128.6 ft/min)
Maximum chain speed @ working load <sup>(2)</sup>	20,6 m/mm (67,6 ft/min)	20,8 m/min (68.2 ft/min)	22,3 m/min (73.2 ft/min)	23,3 m/min (76.4 ft/min)	19,3 m/min (63.3 ft/min)
Motor cable size <sup>(3)</sup>	50 mm <sup>2</sup> (AWG 0)	25 mm <sup>2</sup> (AWG 3)	35 mm <sup>2</sup> (AWG 2)	35 mm <sup>2</sup> (AWG 2)	50 mm <sup>2</sup> (AWG 0)
Deck thickness <sup>(3)</sup>	40 ÷ 80 mm (1" 9/16" ÷ 3" 5/32)				
Weight without drum	34,6 kg (76.3 lb)	34,6 kg (76.3 lb)	39,5 kg (87.1 lb)	48,7 kg (107.4 lb)	59,4 kg (131.0 lb)
Weight with drum	39,0 kg (86.0 lb)	39,0 kg (86.0 lb)	43,9 kg (96.8 lb)	53,1 kg (117.1 lb)	63,8 kg (140.7 lb)
MODEL	RG5 X/Y - / D				
MOTOR OUTPUT	3000W TR				
Motor supply voltage	230/400 V				
Maximum pull	2800 Kg (6172.9 lb)				
Maximum working load	930 Kg (2050.3 lb)				
Maximum chain speed <sup>(2)</sup>	15,4 m/min (50.5 ft/min)				
Weight without drum	64,0 kg (141.1 lb)				
Weight with drum	66,2 Kg (145.9 lb)				

(1) After an initial period of use.

(2) Measurements taken with a gypsy for a 12/13 mm chain.

(3) Minimum allowable value for a total length L = < 20m. Determine the cable size according to the length of the wiring.

(4) On request, shafts and studs can be supplied for greater deck thicknesses.

GYPSY	10 mm - 3/8"				12/13 mm			14 mm		
Chain size	10 mm	10 mm	3/8"	3/8"	13 mm	12 mm	7/16"	14 mm	14 mm	1/2"
	DIN 766	ISO (*)	G4	BBB	DIN 766	ISO (*)	G4	DIN 766	ISO (*)	G4

(\*) ISO EN 818-3.

Models' dimensions on page 32/33



Quick® reserves the right to introduce changes to the equipment and the contents of this manual without prior notice.

In case of discordance or errors in translation between the translated version and the original text in the Italian language, reference will be made to the Italian or English text.



## BEFORE USING THE WINDLASS READ THESE INSTRUCTIONS CAREFULLY. IF IN DOUBT, CONTACT YOUR NEAREST "QUICK®" DEALER.

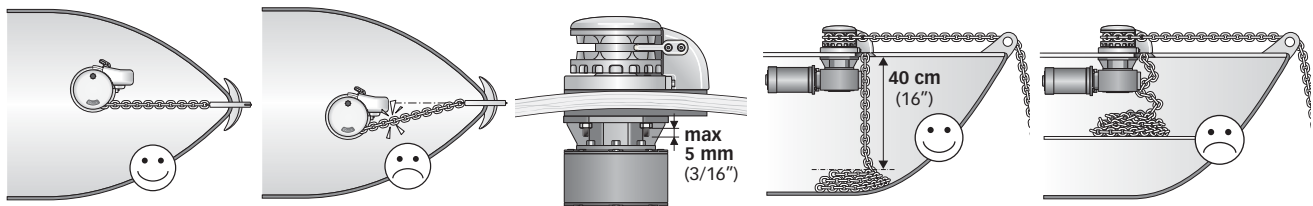
- WARNING:** the Quick® windlasses are designed to weigh the anchor. ⚠ Do not use the equipment for other purposes.
- ⚠ Quick® shall not be held responsible for damage to equipment and/or personal injury, caused by a faulty use of the equipment.
  - ⚠ The windlass is not designed for the loads that might occur in extreme weather conditions (storms).
  - ⚠ Always deactivate the windlass when not in use.
  - ⚠ Check that there are no swimmers nearby before dropping anchor.
  - ⚠ For improved safety we recommend installing at least two anchor windlass controls in case one is accidentally damaged.
  - ⚠ We recommend the use of the Quick® hydraulic-magnetic switch as the motor safety switch.
  - ⚠ Secure the chain with a further device before starting the navigation.
  - ⚠ The contactor unit or reversing contactor unit must be installed in a point protected from accidental water contact.
  - ⚠ After completing the anchorage, secure the chain or rope to fixed points such as chain stopper or bollard.
  - ⚠ To prevent accidental releases, the anchor must be secured. The windlass shall not be used as the only securing device.
  - ⚠ Isolate the windlass from the power system during navigation (switch the circuit breaker off) and lock the chain securing it to a fixed point of the boat. ⚠ There must not be flammable materials in the peak or in the area where the windlass motor is.

**THE PACKAGE CONTAINS:** windlass (on deck unit + motorgearbox) - contactor unit/ reversing contactor unit - base gasket - drill template - handle - bolts and screws (for assembly) - user's manual - conditions of warranty.

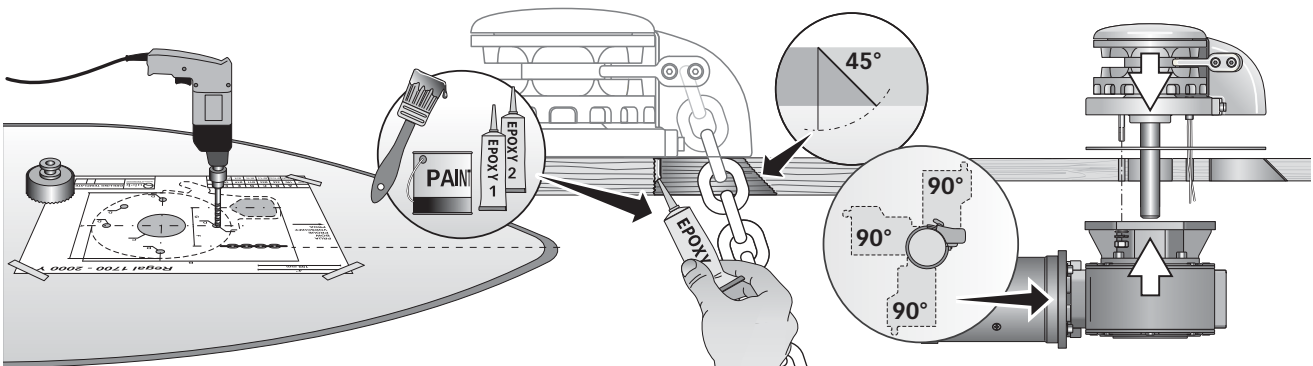
**TOOLS REQUIRED FOR INSTALLATION:** drill and drill bits: Ø 11 mm (7/16") and Ø 19 mm (3/4"); hollow mill: Ø 65 mm (2"1/2) ; hexagonal wrench: 10 mm, 13 mm and 17 mm.

**"QUICK®"ACCESSORIES RECOMMENDED:** anchoring RL control board (mod. 800) - Waterproof hand helds R/C (mod. HRC1002) - Foot switch (mod. 900) - Hydraulic-magnetic circuit breaker - Anchor chain counter (mod. CHC1102M and CHC1202M) - Radio control RRC (mod. R02, P02, H02).

**INSTALLATION REQUIREMENTS:** the windlass must be positioned with the gypsy aligned with the bow roller. Ensure that the upper and lower surfaces of the deck are as parallel as possible. If this is not the case, compensate the difference appropriately (a lack of parallelism could result in a loss of motor power). The deck thickness must be included among the figures listed in the table. In cases of other thicknesses it is necessary to consult a Quick® retailer. There must be no obstacles under deck to the passage of cables and chain; lack of depth of the peak could cause jamming.



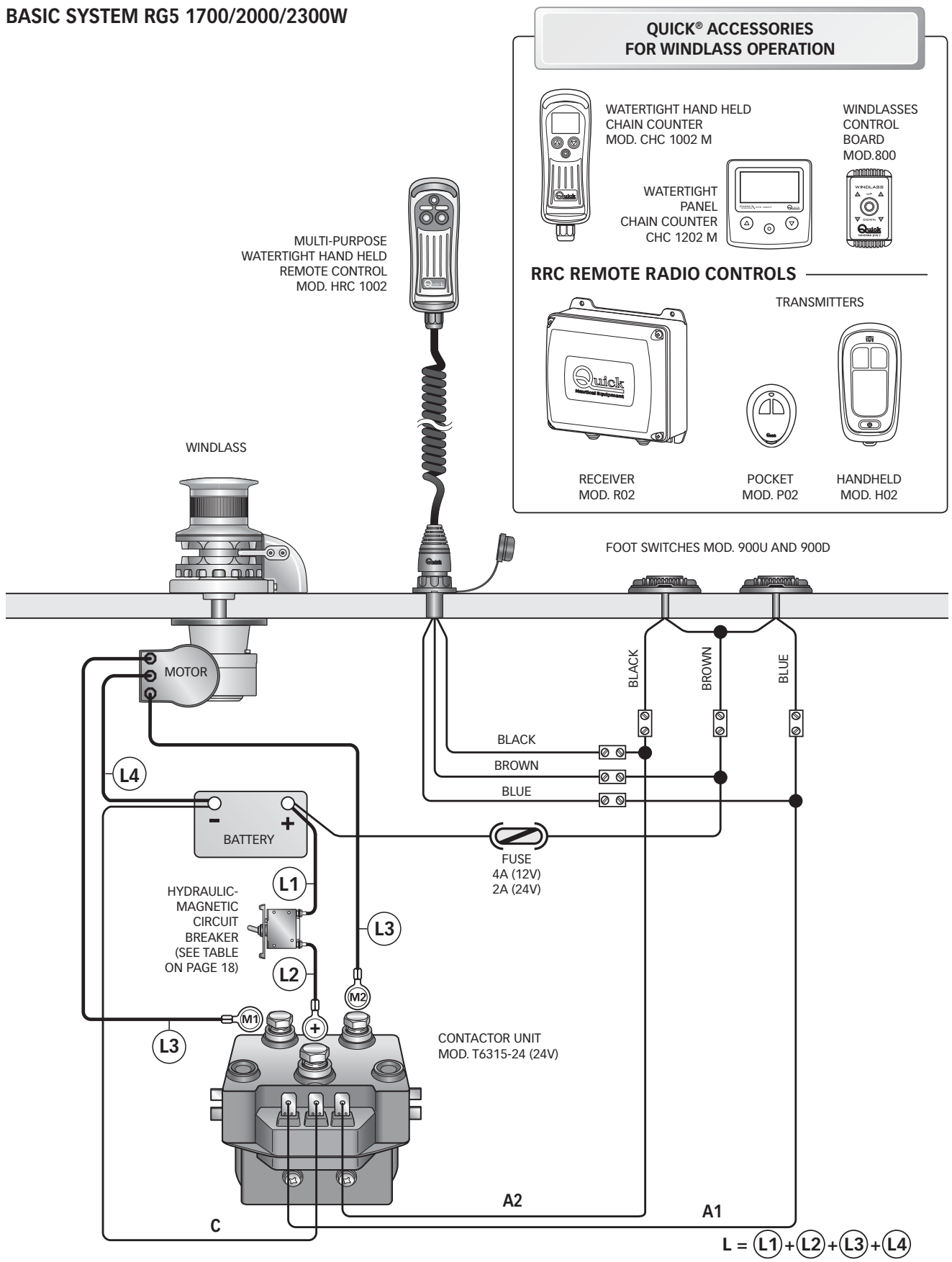
**FITTING PROCEDURE:** when the ideal position has been established, drill four holes using the drilling template provided. Remove excess material from the chain passage, refine and flatten with a specialized product (marine paint, gel coat or two pack epoxy) to assure free passage for both chain. Position the upper section, inserting the gasket between the deck and the base and connect the lower section to the assembly, inserting the shaft into the reduction unit. Fix the windlass by screwing the nuts onto the fixing studs. Connect the supply cables from the windlass to the contactor unit or reversing contactor unit.



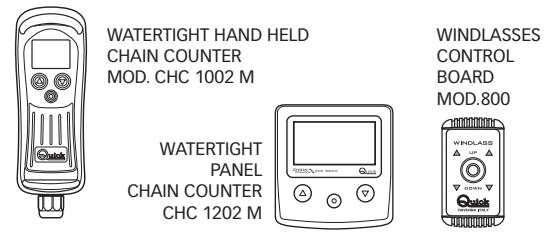
⚠ **WARNING:** before wiring up, be sure the electrical cables are not live.



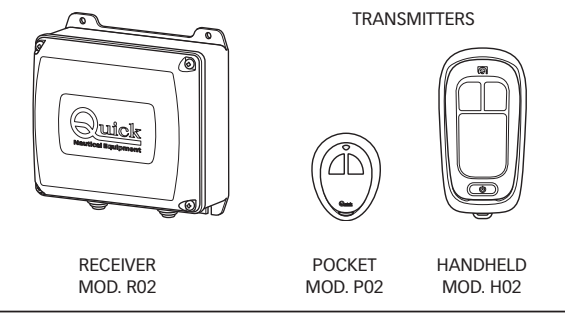
## BASIC SYSTEM RG5 1700/2000/2300W



### QUICK® ACCESSORIES FOR WINDLASS OPERATION



### RRC REMOTE RADIO CONTROLS



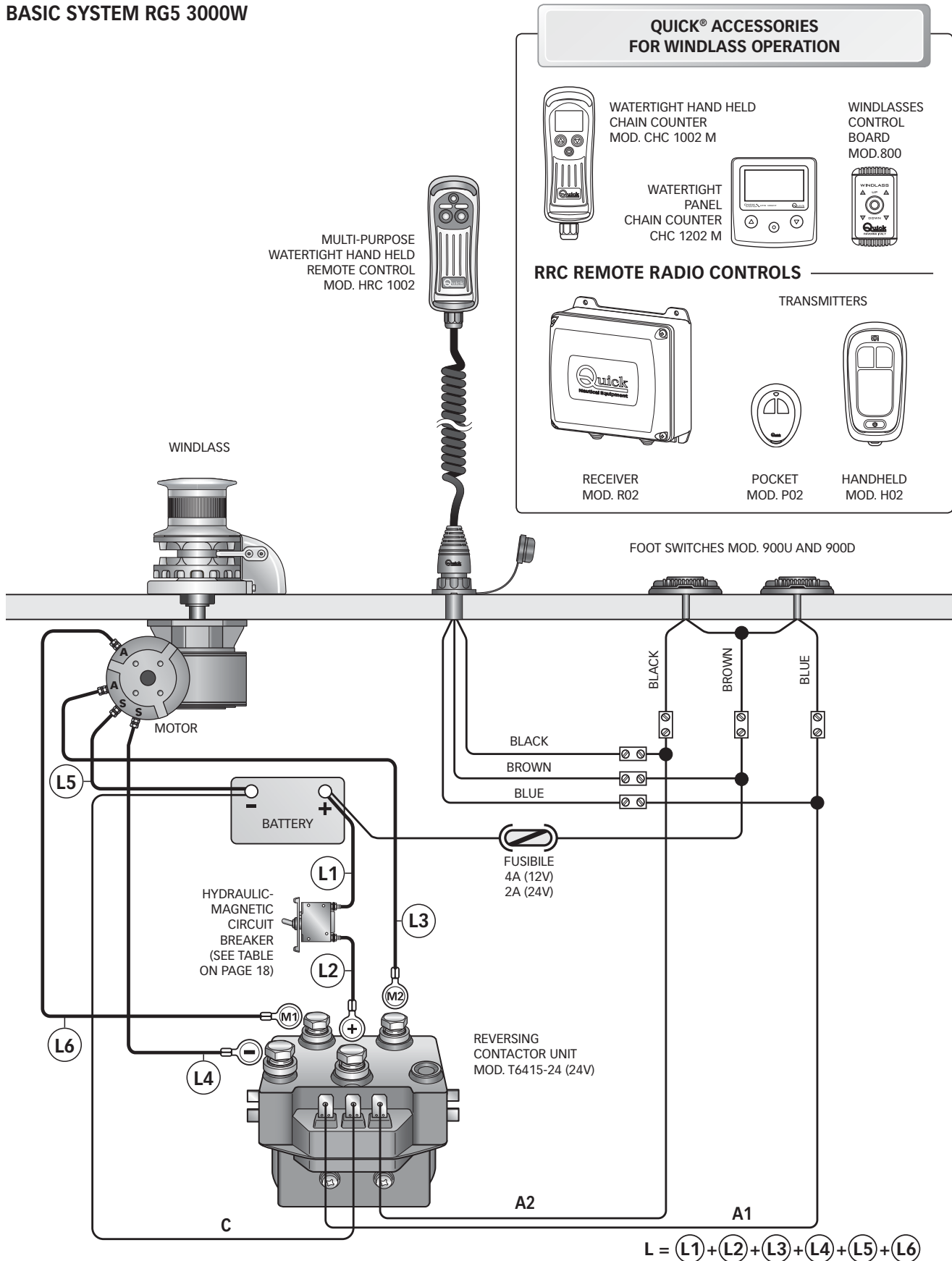
### FOOT SWITCHES MOD. 900U AND 900D



# CONNECTION DIAGRAM

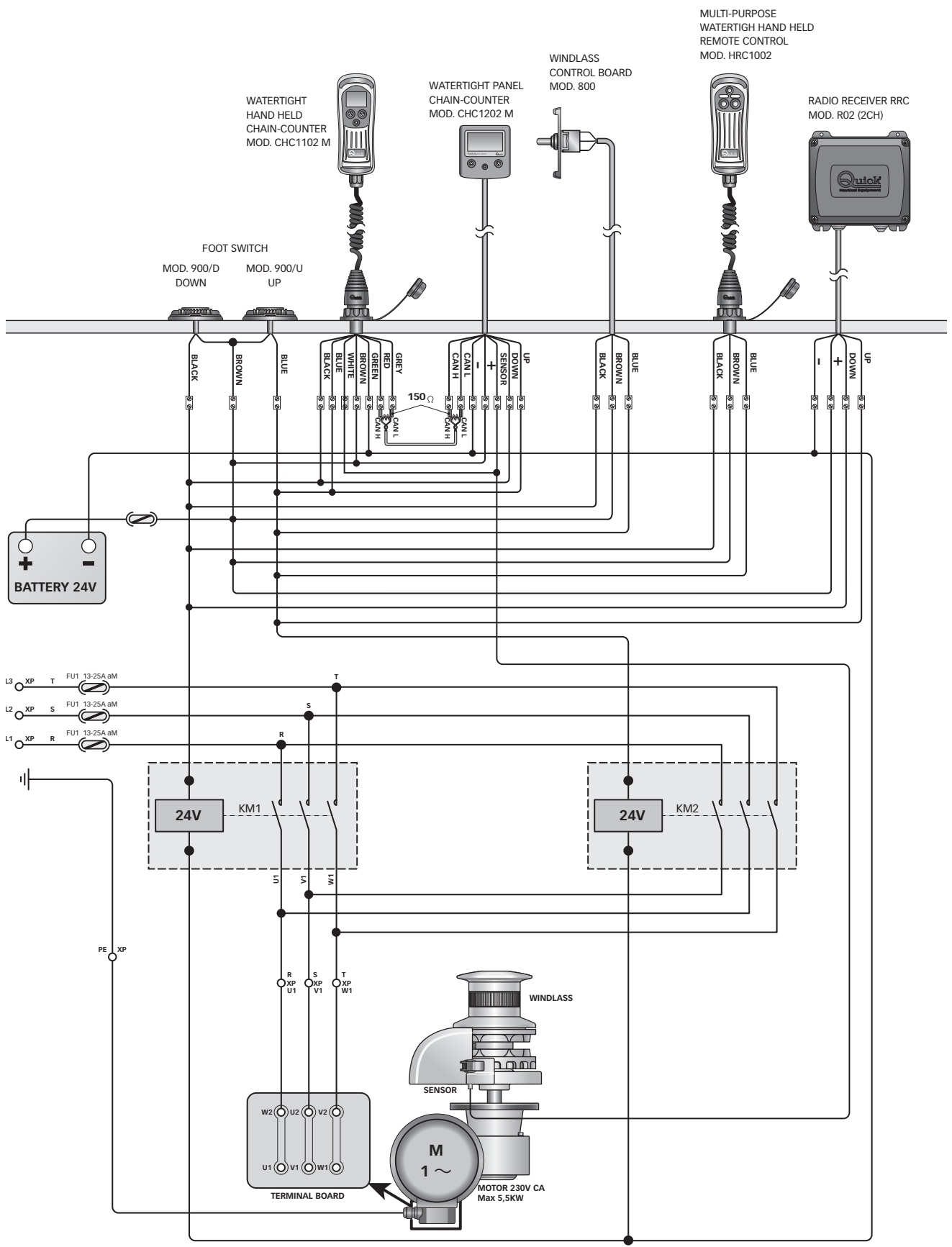
EN

## BASIC SYSTEM RG5 3000W





## BASIC SYSTEM RG5 3000W 230V

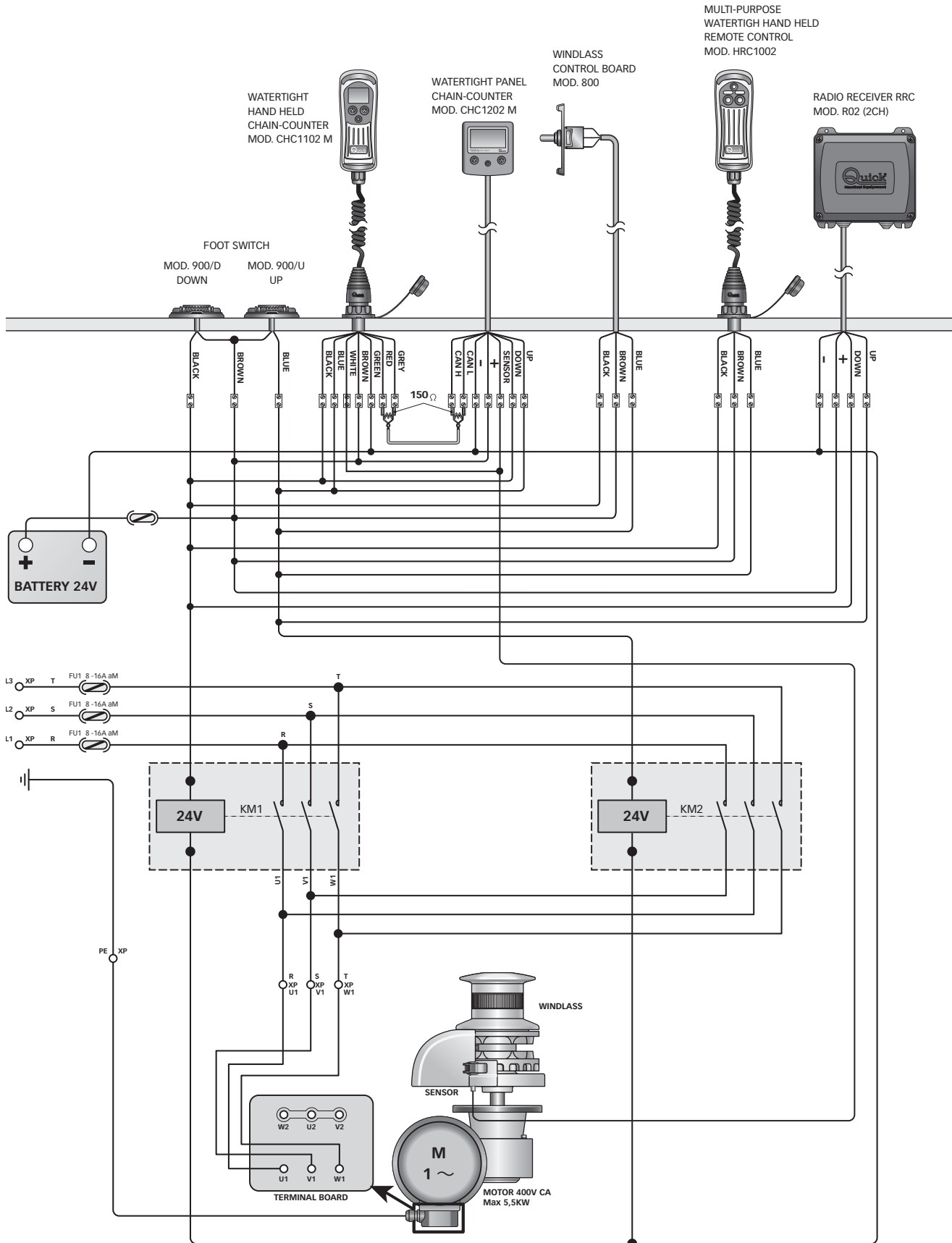


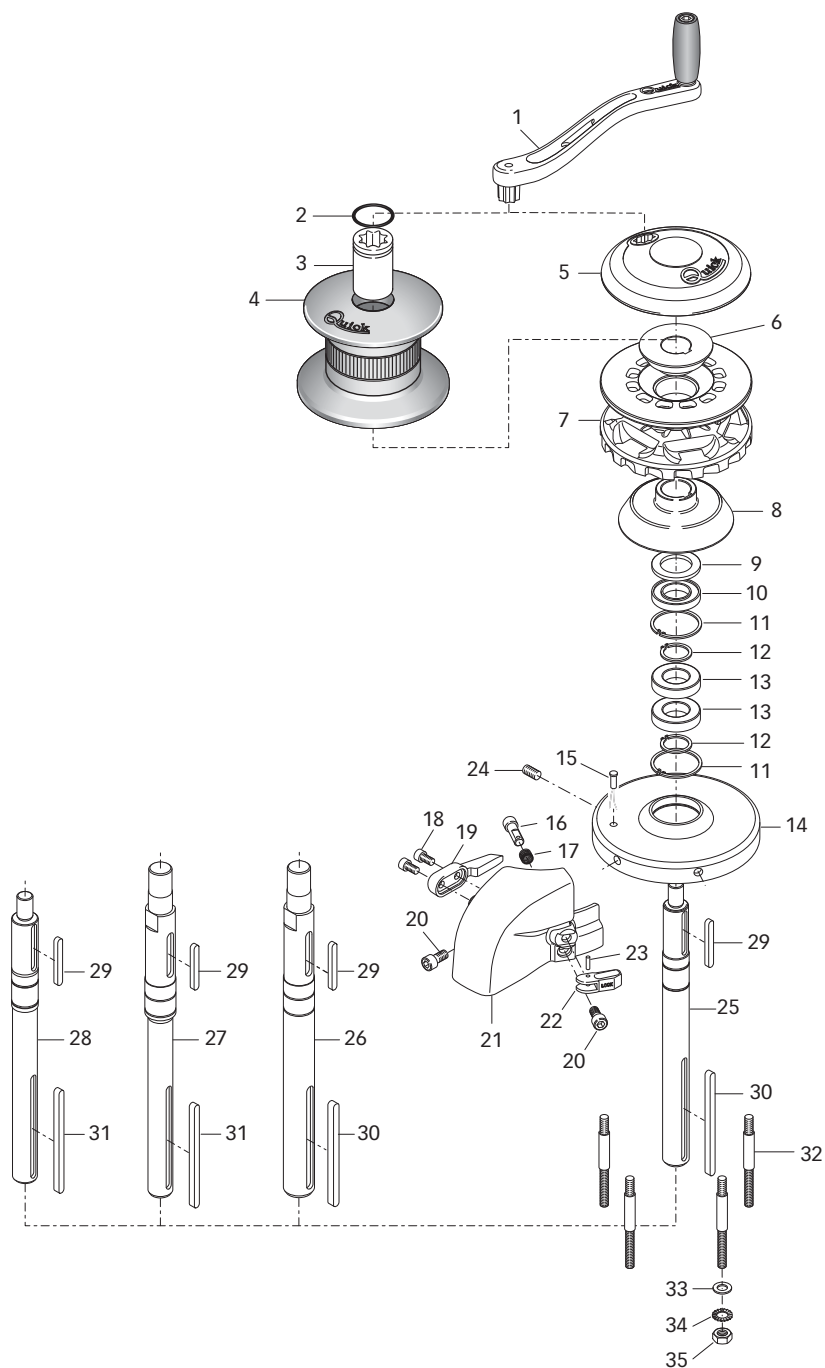


# THREE-PHASE CONNECTION DIAGRAM

EN

## BASIC SYSTEM RG5 3000W 400V





36	GEARBOX FLANGE GASKET TOP TG70
37	GEARBOX 1700W - QUICK SERIES
38	WASHER
39	SELF-LOCKING NUTS
40	GEARBOX 1700W O-RING
41	KEY
42	ELECTRIC MOTOR 1700W 12/24V
43	MOTOR CASING WATERTIGHT 1700W
44	TERMINAL BOARD GASKET
45	TERMINAL BOARD COVER
46	SCREW
47	BOTTOM GASKET
48	BOTTOM COVER
49	CABLE OUTLETS
50	GEARBOX 2000W
51	WASHER
52	SCREW
53	O-RING 2000W
54	KEY
55	ELECTRIC MOTOR 2000W - 24V
56	MOTOR CASING WATERTIGHT 2000W
57	BOTTOM COVER O-RING
58	BOTTOM COVER
59	LOWER TERMINAL BOARD GASKET
60	UPPER TERMINAL BOARD GASKET
61	UPPER TERMINAL BOARD COVER
62	SELF-TAPPING SCREW
63	SELF-TAPPING SCREW
64	SCREW
65	FLANGE GEARBOX 3000W
66	GEARBOX 2300-3000W - 24V
67	WASHER
68	GROWER
69	NUT
70	GASKET MOTORGearBOX 3000W
71	ELECTRIC MOTOR 2300W ADAPTOR
72	ADAPTOR KEY
73	ELECTRIC MOTOR 2300W 24V
74	ELECTRIC MOTOR 3000W 24V
75	KEY
76	ELECTRIC MOTOR 3000W AC 230/400

## N. DESCRIPTION

1	BENT LEVER OF THE WINCH
2	O-RING
3	BUSH
4	DRUM
5	GYPSY COVER
6	TOP CLUTCH CONE
7	GYPSY
8	BOTTOM CLUTCH CONE
9	WASHER REINFORCEMENT
10	OIL SEAL
11	INTERNAL CIRCLIP
12	EXTERNAL CIRCLIP

## 13 BEARING

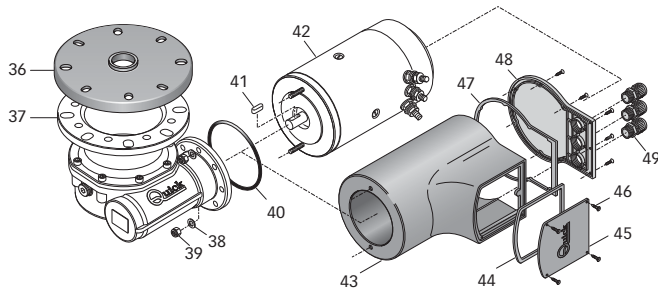
14	BASE
15	SENSOR
16	GYPSY LOCK PIN
17	SPRING
18	SCREW
19	ROPE/CHAIN STRIPPER
20	SCREW
21A	CHAIN PIPE SX
21B	CHAIN PIPE DX
22	GYPSY REGAL LOCK LEVER
23	PLUG
24	SCREW

## 25 SHORT SHAFT 23/3000W

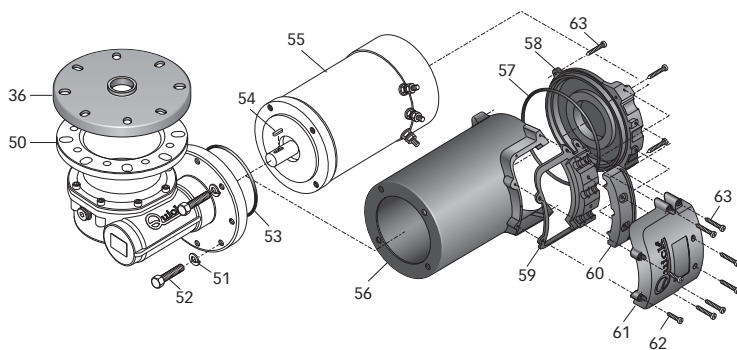
26	LONG SHAFT 23/3000W
27	LONG SHAFT 17/2000W
28	SHORT SHAFT 17/2000W
29	KEY
30	KEY
31	KEY
32	STUD
33	WASHER
34	SPRING WASHER
35	NUT



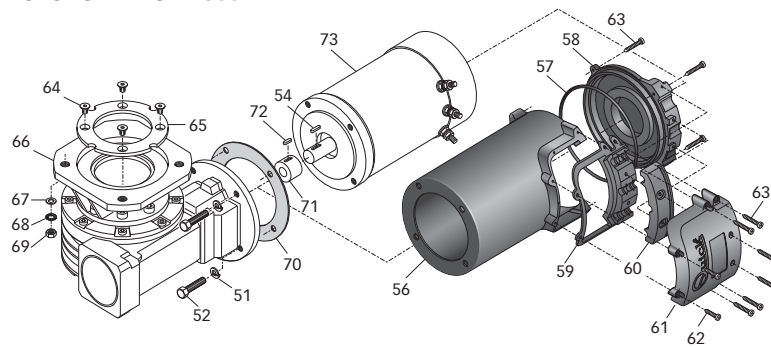
## MOTORGearBOX 1700W



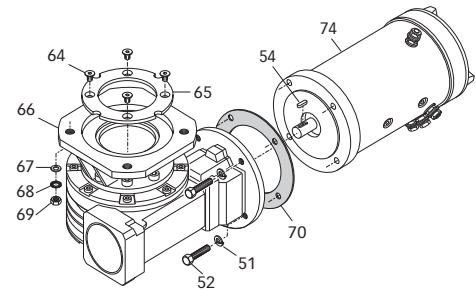
## MOTORGearBOX 2000W



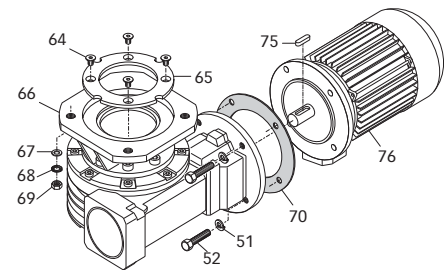
## MOTORGearBOX 2300W



## MOTORGearBOX 3000W



## MOTORGearBOX 3000 TR



**WARNING:** make sure the electrical power to the motor is switched off when working manually on the windlass. Carefully remove the chain from the gypsy or the rope from the drum.

Quick® windlasses are manufactured with materials resistant to marine environments. In any case, any salt deposits on the outside must be removed periodically to avoid corrosion and damage to the equipment.

The parts where salt may have built up should be washed thoroughly with fresh water.

Once a year, the drum and the gypsy are to be taken apart as follows:

### DRUM VERSION

Use the handle (1) to loosen the bush (3); pull off the drum (4) and the top clutch cone (6); loosen the fixing screws (18) of the chain stripper (19) and remove it. Pull off the gypsy (7).

### NO-DRUM VERSION

Use the handle (1) to remove the gypsy cover (5); and the top clutch cone (6); loosen the fixing screws (18) of the chain stripper (19) and remove it. Pull off the gypsy (7).

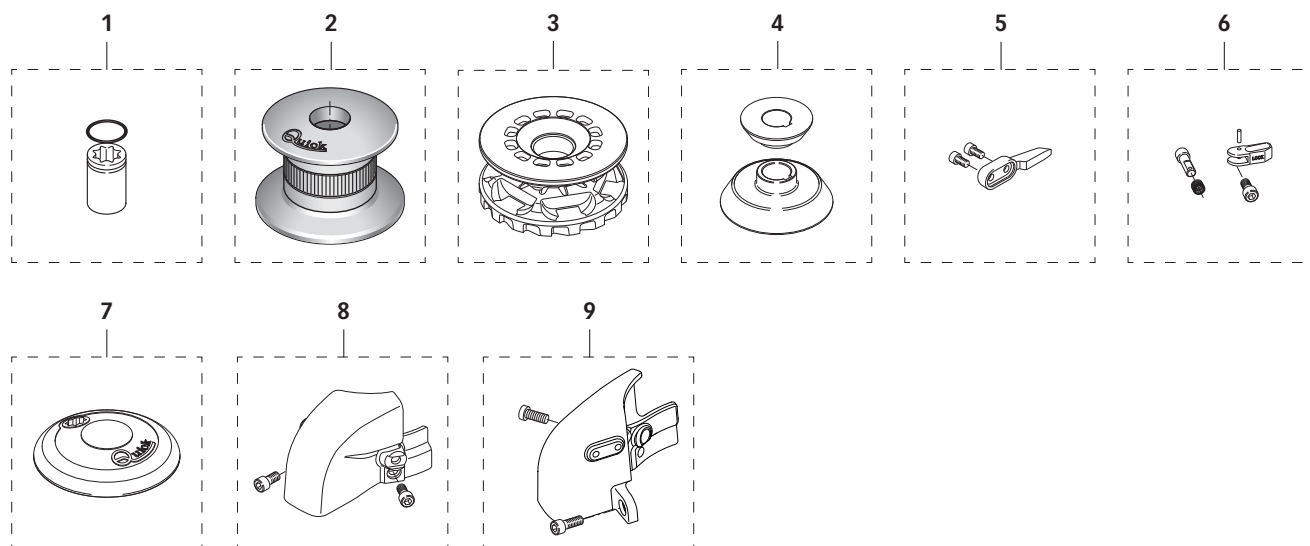
Clean all the parts removed to avoid corrosion, and grease the shaft thread (25, 26, 27 or 28) and the gypsy (7) where the clutch cones rest (6 and 8) (use grease suitable for marine environment).

Remove any oxide deposits from the terminals of the electric motor and the contactor unit; grease them.



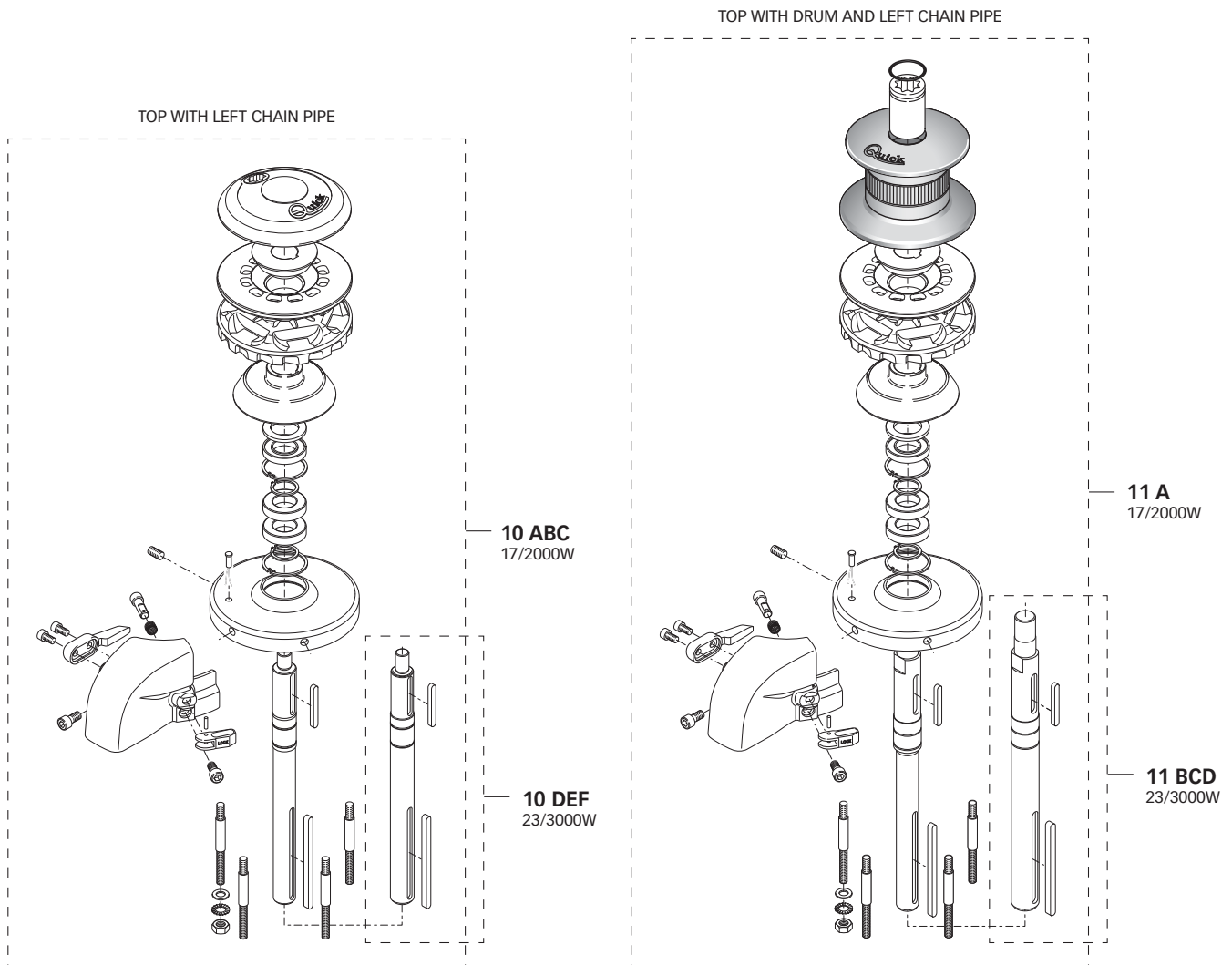


N	DESCRIPTION	CODE
1	OSP BUSH SERIES DV CHROMED	FVSSGMSDCPAG300
2	OSP DRUM WINDLASS 3000W DV	FVSSMSE30AG0A00
3A	OSP GYPSY 3000W 12MM-13MM AG-R-RG	FVSSB3012130A00
3B	OSP GYPSY 3000W 10MM-3/8" AG-R-RG	FVSSB3010380A00
3C	OSP GYPSY 3000W 14MM AG-R-RG	FVSSB3014000A00
4	OSP KIT CLUTCH CONES DV	FVSSCFDV0000A00
5	OSP KIT ROPE/CHAIN STRIPPER REGAL	FVSSSCRG0000A00
6	OSP KIT GYPSY REGAL LOCK	FVSSBLBRRG00A00
7	OSP GYPSY COVER RIDER-REGAL	FVSSCPBBRG00A00
8	OSP KIT CHAIN PIPE REGAL Y STAINLESS STEEL	FVSSPCRGY00A00
9	OSP KIT CHAIN PIPE REGAL X STAINLESS STEEL	FVSSPCRGX00A00



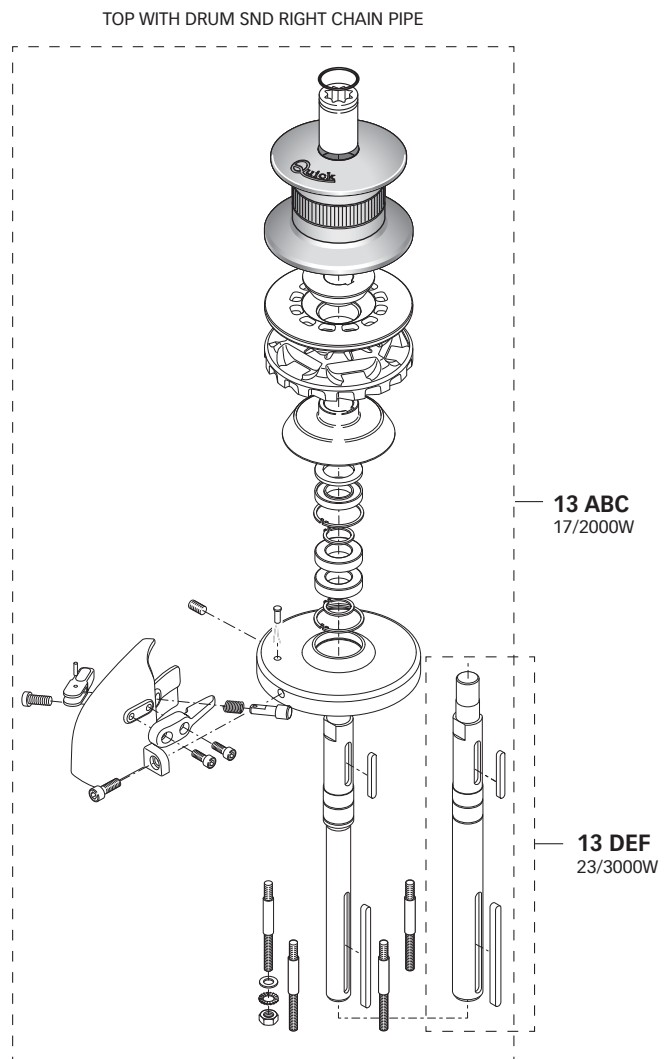
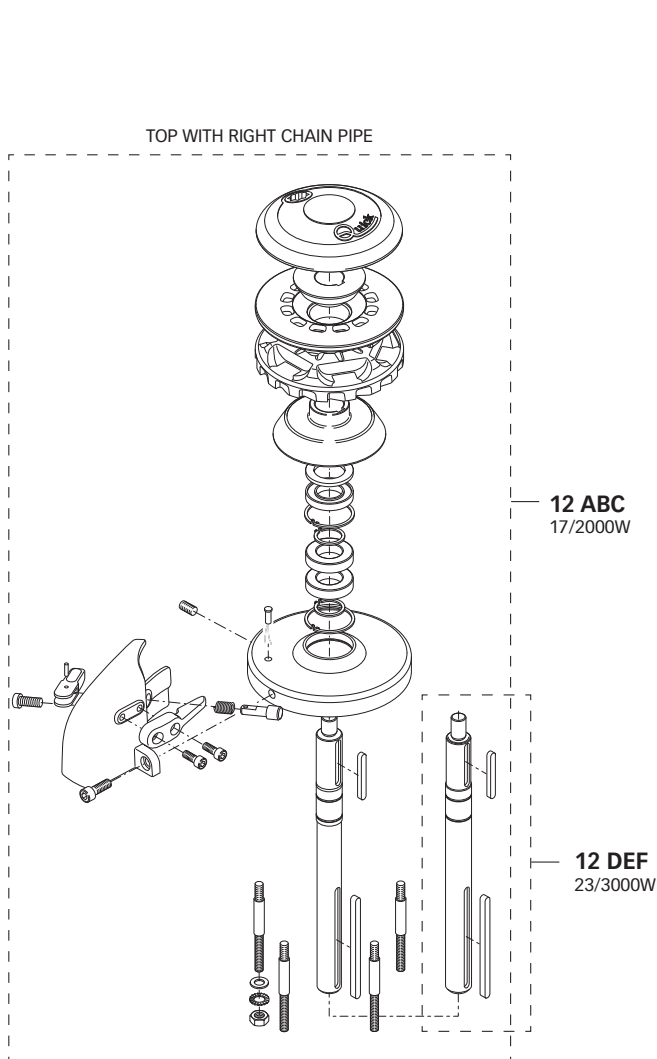


N	DESCRIPTION	CODE
10A	OSP TOP REGAL 17/2000W Y 10MM-3/8"	FVSSTRY20010A00
10B	OSP TOP REGAL 17/2000W Y 12MM-13MM	FVSSTRY20012A00
10C	OSP TOP REGAL 17/2000W Y 14MM	FVSSTRY20014A00
10D	OSP TOP REGAL 3000W Y 10MM-3/8"	FVSSTRY30010A00
10E	OSP TOP REGAL 3000W Y 12MM-13MM	FVSSTRY30012A00
10F	OSP TOP REGAL 3000W Y 14MM	FVSSTRY30014A00
11A	OSP TOP REGAL 17/2000W DY 14MM	FVSSTRY20D14A00
11B	OSP TOP REGAL 3000W DY 10MM-3/8"	FVSSTRY30D10A00
11C	OSP TOP REGAL 3000W DY 12MM-13MM	FVSSTRY30D12A00
11D	OSP TOP REGAL 3000W DY 14MM	FVSSTRY30D14A00









N	DESCRIPTION	CODE
12A	OSP TOP REGAL 17/2000W X 10MM-3/8"	FVSSTRX20010A00
12B	OSP TOP REGAL 17/2000W X 12MM-13MM	FVSSTRX20012A00
12C	OSP TOP REGAL 17/2000W X 14MM	FVSSTRX20014A00
12D	OSP TOP REGAL 3000W X 10MM-3/8"	FVSSTRX30010A00
12E	OSP TOP REGAL 3000W X 12MM-13MM	FVSSTRX30012A00
12F	OSP TOP REGAL 3000W X 14MM	FVSSTRX30014A00
13A	OSP TOP REGAL 17/2000W DX 10MM-3/8"	FVSSTRX20D10A00
13B	OSP TOP REGAL 17/2000W DX 12MM-13MM	FVSSTRX20D12A00
13C	OSP TOP REGAL 17/2000W DX 14MM	FVSSTRX20D14A00
13D	OSP TOP REGAL 3000W DX 10MM-3/8"	FVSSTRX30D10A00
13E	OSP TOP REGAL 3000W DX 12MM-13MM	FVSSTRX30D12A00
13F	OSP TOP REGAL 3000W DX 14MM	FVSSTRX30D14A00





## WARNING

-  **WARNING:** stay clear of the chains, ropes and gypsy. Make sure the electric motor is off when windlass is used manually (even when using the handle to disengage the clutch). In fact people with windlass remote controls (hand-held remote control or radio-controlled systems) might accidentally operate it.
-  **WARNING:** secure the chain with a device before starting the navigation.
-  **WARNING:** do not operate the windlass by using the electrical power when the handle is inserted in the drum or into the gypsy cover.
-  **WARNING:** Quick® suggests the use of a protection such as a fuse/thermal-magnetic/ hydraulic-magnetic circuit breaker of suitable power according to the motor chosen, in order to protect it from any overheating or short circuits. The circuit breaker can be used to cut off power to the windlass control circuit and so avoid accidental activation.

## CLUTCH USE

The clutch (6 or 8) provides a link between the gypsy and the main shaft (25, 26, 27 or 28). The clutch can be released (disengagement) by using the handle (1) which, when inserted in the bush (3) of the drum or into the gypsy cover (5), must be turned counter-clockwise. The clutch will be re-engaged by turning it clockwise (engagement).

## WEIGHING THE ANCHOR

Turn on the engine. Make sure the clutch is engaged and remove the handle. Press the UP button on the control provided.

If the windlass stops and the hydraulic magnetic switch (or thermal cutout) has not tripped, wait a few seconds and try again (avoid keeping the button pressed).

If the hydraulic magnetic switch, has tripped, reset it and wait a few minutes before weighing anchor once again.

If, after a number of attempts, the windlass is still blocked, we suggest to move the boat to release the anchor. Check the upward movement of the chain for the last few meters in order to avoid damages to the bow.

## CASTING THE ANCHOR

The anchor can be cast by using the electrical control or manually. To operate manually, the clutch must be disengaged allowing the gypsy to revolve and letting the chain fall into the water. To slow down the chain, the handle must be turned clockwise.

To cast the anchor by using the electrical power, press the DOWN button on the control provided. In this manner, anchor casting is under control and the chain unwind evenly.

In order to avoid any stress on the windlass -once the boat is anchored- fasten the chain or secure it in place with a rope.



HYDRAULIC MODEL	RG5 - / D	
Motor type	Reversible gear-type	
Motor power	9,6 cc	0,59 in <sup>3</sup>
Lifting capacity	• 100 bar = 600 kg • 200 bar = 1700 kg	• 1450.4 psi = 1433 lb • 2900 psi = 3748 lb
Max. chain speed @ working load (1)	40 lt /min = 23 mt/min	9,1 USG/min = 76 ft/min
Deck thickness (2)	40 ÷ 80 mm	1" 9/16 ÷ 3" 5/32 inch
Weight without drum	29,0 kg	63,9 lb
Weight with drum	34,4 kg	75,8 lb
SETTING VALUES (Suggested by Quick)		
Flow rate	40 lt/min	9,1 USG/min
Maximum pression	200 bar	2900 psi

(1) Measurements taken with a gypsy for a 12/13 mm chain.

(2) On request, shafts and studs can be supplied for greater deck thicknesses.

### Models' dimensions on page 32

**THE PACKAGE CONTAINS:** hydraulic windlass (on deck unit + motorgearbox) - drill template - handle - bolts and screws (for assembly) - user's manual - conditions of warranty.

**TOOLS REQUIRED FOR INSTALLATION:** drill and drill bits: Ø 15 mm (19/32"); Ø 150 mm (5"29/32 hollow mill); hexagonal wrench: 17 e 19 mm.

**"QUICK®" ACCESSORIES RECOMMENDED:** anchoring RL control board (mod. 800) - Waterproof hand helds R/C (mod. HRC1002) - Foot switch (mod. 900) - Hydraulic-magnetic circuit breaker - Anchor chain counter (mod. CHC1102M and CHC1202M) - Radio control RRC (mod. R02, P02, H02).

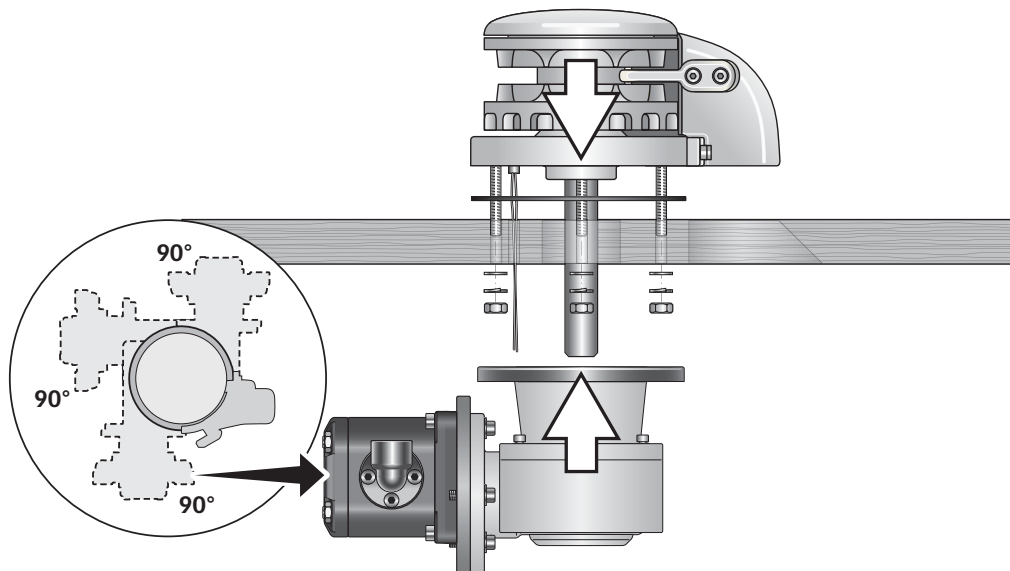
### FITTING PROCEDURE

Position the upper section and connect the lower section to the assembly, inserting the shaft into the reduction unit.

Fix the windlass by screwing the nuts onto the fixing studs.

Connect the hoses deriving from the selector valve to the flanges of the hydraulic motor (see connection diagram on page 31).

EXAMPLE INSTALLATION  
TOP WITHOUT DRUM



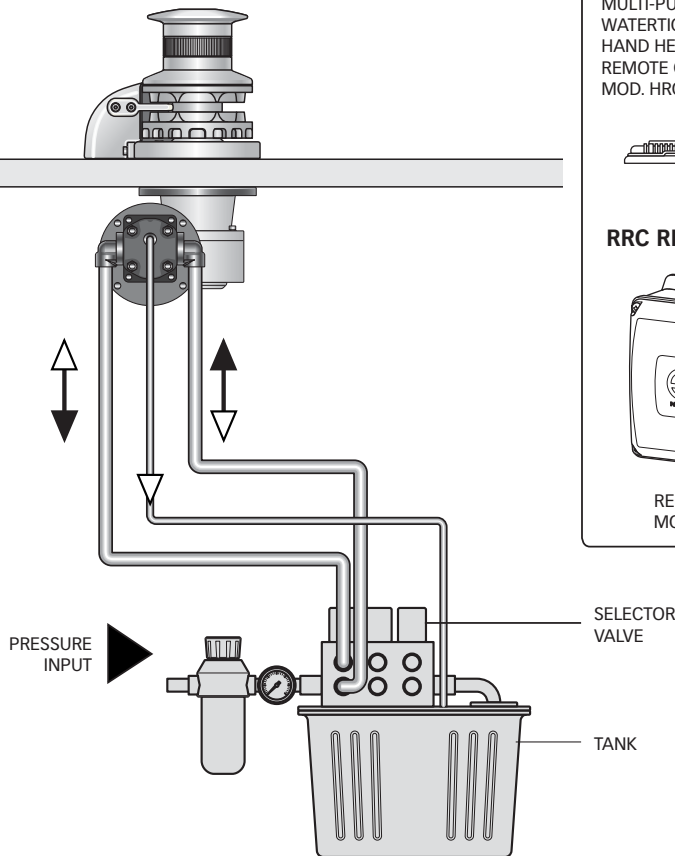
Quick® reserves the right to introduce changes to the equipment and the contents of this manual without prior notice.

In case of discordance or errors in translation between the translated version and the original text in the Italian language, reference will be made to the Italian or English text.



## BASIC SYSTEM HYDRAULIC RG5

### CONNECTION DIAGRAM



### QUICK® ACCESSORIES FOR HYDRAULIC WINDLASS OPERATION



MULTI-PURPOSE  
WATERTIGHT  
HAND HELD  
REMOTE CONTROL  
MOD. HRC 1002



WATERTIGHT  
HAND HELD  
CHAIN COUNTER  
MOD. CHC 1002 M



WATERTIGHT PANEL  
CHAIN COUNTER CHC 1202 M



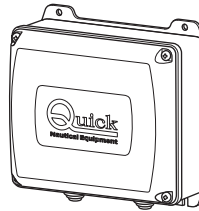
WINDLASSES  
CONTROL  
BOARD  
MOD.800



FOOT SWITCH  
MOD. 900U AND 900D

### RRC REMOTE RADIO CONTROLS

#### TRANSMITTERS



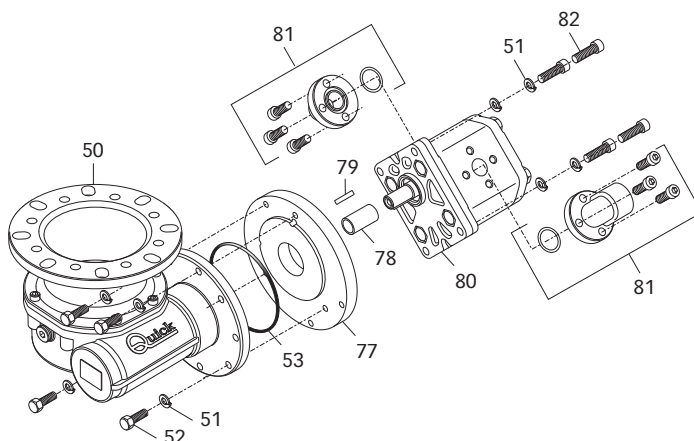
RECEIVER  
MOD. R02



RADIO POCKET  
MOD. P02



HANDHELD  
MOD. H02



### HYDRAULIC MOTOR

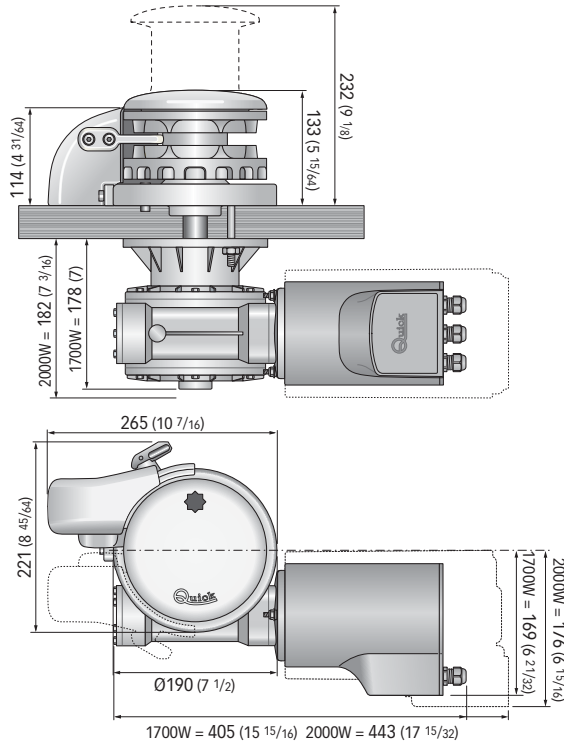
POS.	DESCRIPTION
50	GEARBOX - 2000W - QUICK SERIES
51	SCREW
52	GROWER
53	O-RING
77	FLANGE
78	ADAPTER TG70
79	KEY
80	BIDIRECTIONAL GEAR-TYPE MOTOR 17,9CC
81	FLANGE 90° G3/4 FEMALE
82	SCREW

DIMENSIONI mm (inch)

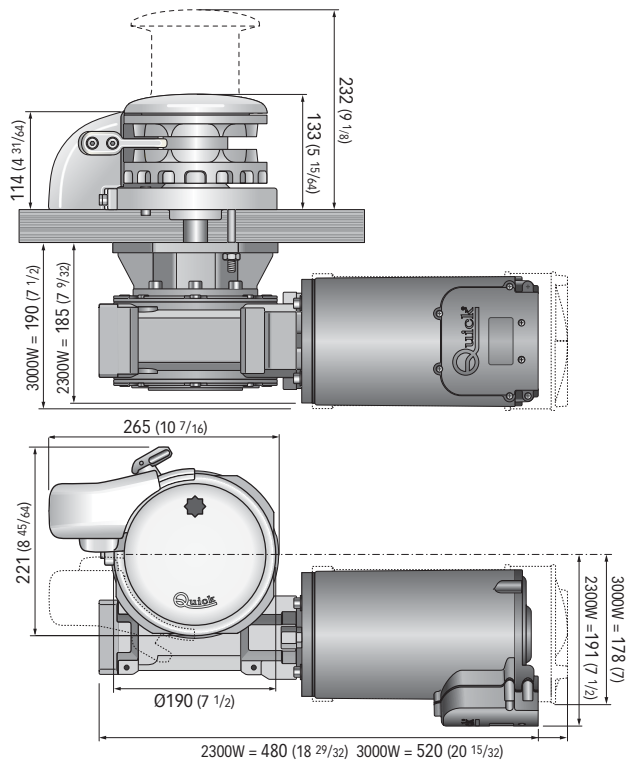
DIMENSIONS



RG5 - / DX - / DY  
1700 - 2000 W



RG5 - / DX - / DY  
2300 - 3000 W

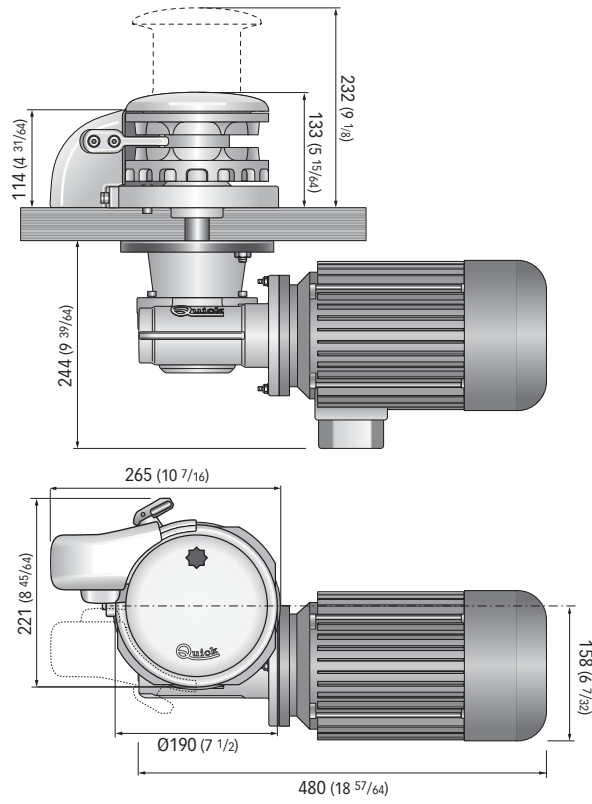


DIMENSIONI mm (inch)

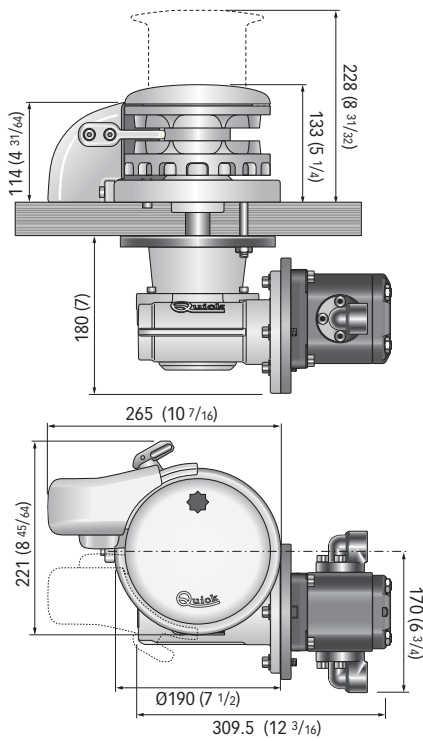
DIMENSIONS



RG5 - / DX - / DY  
AC 3000 W  
230/400V



RG5 - / DX - / DY  
HYDRO





# RG5 REGAL SERIES

1700/2000/2300/3000W DC - 3000W AC - HYDRO

**R06A**

