



Marine Warehouse
2330 NW 102 Avenue, Suite 1
Doral, FL 33172
USA
Tel: (305) 635-0776
sales@marinewarehouse.net

Isotherm CRUISE 42 Clean Touch Stainless Steel

The Isotherm Cruise 42 Clean Touch Stainless Steel is the latest development in the Cruise Elegance line. The new Isotherm Clean Touch stainless steel is specially treated to remain clean to the touch and resist the rigors of the marine environment. The Clean Touch has excellent scratch and abrasion resistance as well as resistance to stains. As the premier marine refrigeration brand, the Isotherm Clean Touch provides excellent resistance to salt spray, sun, heat, UV, and condensation in the marine environment.

Like the original Elegance doors, the new Isotherm Clean Touch door is thicker than traditional doors which results in lower power consumption, greater energy efficiency, and superior performance. The wider, more ergonomic, center handle and door design allow for easy swing change from right to left swing.

The new Isotherm Clean Touch Stainless Steel doors are available on five models: 42, 49, 65, 85 and 130 liters. These models represent the most common cutout dimensions in the marine and mobile industry, making the upgrade to the new Clean Touch very simple.



Your Advantages:

- Volume: 42 liters
- Silent, high efficient, fan cooled 12/24V Danfoss / Secop compressor
- Easy fix system
- White LED internal lighting

Available Models:

C042RNGIT11111AA - Cruise 42 Clean Touch Stainless Steel - DC Only, 4 - Side Stainless Steel Flange - Remote Mount Compressor

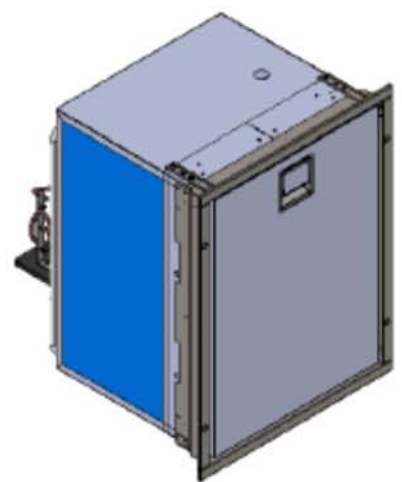
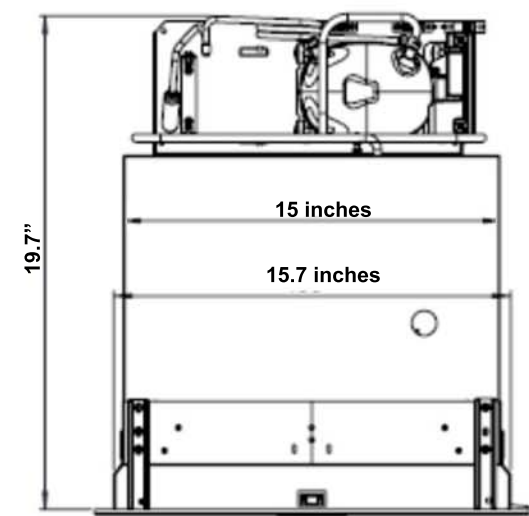
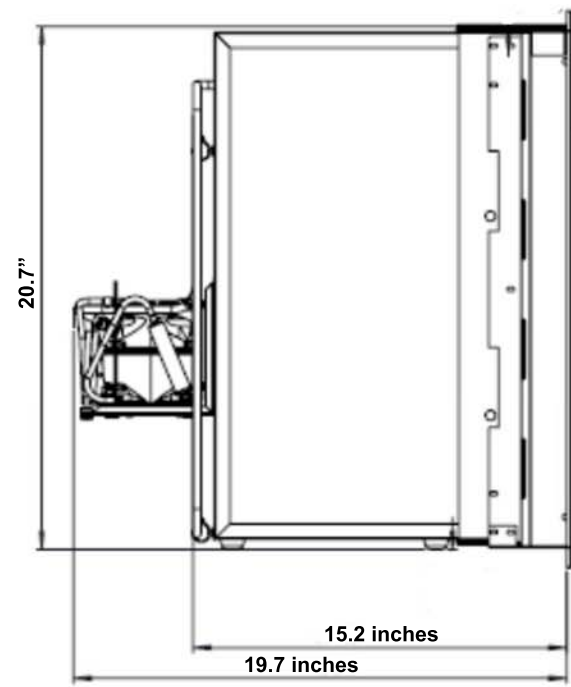
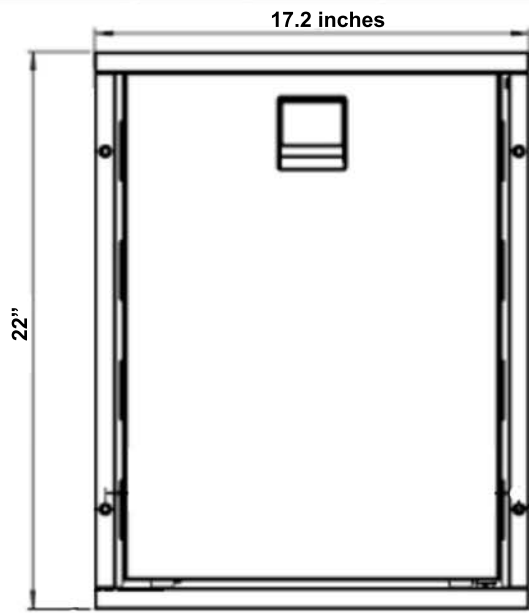
C042RNGIT71113AA - Cruise 42 Clean Touch Stainless Steel - AC/DC, 4 - Side Stainless Steel Flange - Remote Mount Compressor

Technical Details:

- Type: CR42CT INOX
- Volume (cu.ft): 1.5 or 42 liters
- Dimensions (mm): 20.7h x 15.7w x 19.7d (with compressor mounted on back)
20.7h x 15.7w x 15.2d (with compressor remotely mounted)
- Power Consumption W/24Hr: 285
- Weight: 38

Marine Warehouse

Miami - Trinidad - Panama - Grenada - Tahiti - Curacao - Bonaire - Aruba - St Maarten - Colombia - Langkawi - Nuku-Hiva - Raiatea



TUTTI I MATERIALI E COMPONENTI NON DEVONO CONTENERE PIOMBO, MERCURIO, CADMIO, CROMO ESAVALENTE, BIFENILI POLIBROMURATI (PBb) O ETER DI DIFENILE POLIBROMURATO (PBDE).
(Direttiva 2002/95/CE del Parlamento Europeo e del Consiglio del 23 gennaio 2003)

Pos.	DENOMINAZIONE	Q	Materiale	Stato/Unific.	Peso	Codice
Tolleranze generali		Caratteristiche speciali da PPRC		Disegnato		Data
ISO 2768 - m		CRITICA		IMPORTANTE		Scala
 		Via del Ronchi, 11 - 47866 Sant'Agata Feltria (RN)				Tel. +39 0541 848 000 Fax +39 0541 848 563
Disegno eseguito con CAD vietata la modifica manuale						CODICE
A termini di legge ci riserviamo la proprietà di questo disegno con divieto di riproduzione senza la nostra autorizzazione						

E.C.
MODIFICHE
Data Dis.



Scale
1:10

Cod. provv.
Sed. 2

A3