

Isotherm CRUISE 130 Elegance

The Isotherm Cruise 130 Elegance is a 4.6 cubic foot marine refrigerator (130 liters) available now in two colors: Silver and Black. The CR130 Elegance Silver features a brushed aluminum panel and the CR130 Elegance Black has a gloss acrylic panel with 3-side black flange.

The new Elegance design features a two-inch thick door with more insulation for superior cold retention and operating efficiency. The doors are durable and easy to maintain. The CR130 Elegance features a four liter freezer compartment, one adjustable shelf with a hatch to allow tall bottles to stand upright and a built-in fan-cooled Danfoss / SeCOP compressor. The CR130 Elegance has an innovative internal anchoring system which allows mounting the fridge without a flange. Anchoring screws can be secured through the inside wall of the fridge for a clean, modern installation. Interior light and flange is standard. *Easy door swing change from right to left.*



Isotherm Cruise Elegance DC only marine refrigerators are designed for easy integration of the Isotherm Smart Energy Control (ISEC) which reduces battery consumption by up to 50% under typical cruising conditions. The ISEC module only works with the Danfoss/SeCOP DC-only modules.



Available Models:

C130RBUAB11111AA - Cruise 130 Elegance Black - DC only, Black door, 3-Side Black Flange

C130RBUAB71113AA - Cruise 130 Elegance Black - AC/DC, Black Door, 3-Sided Black Flange

C130RSAAS11111AA - Cruise 130 Elegance Silver - DC Only, Silver Door, internal mounting system (no flange necessary)

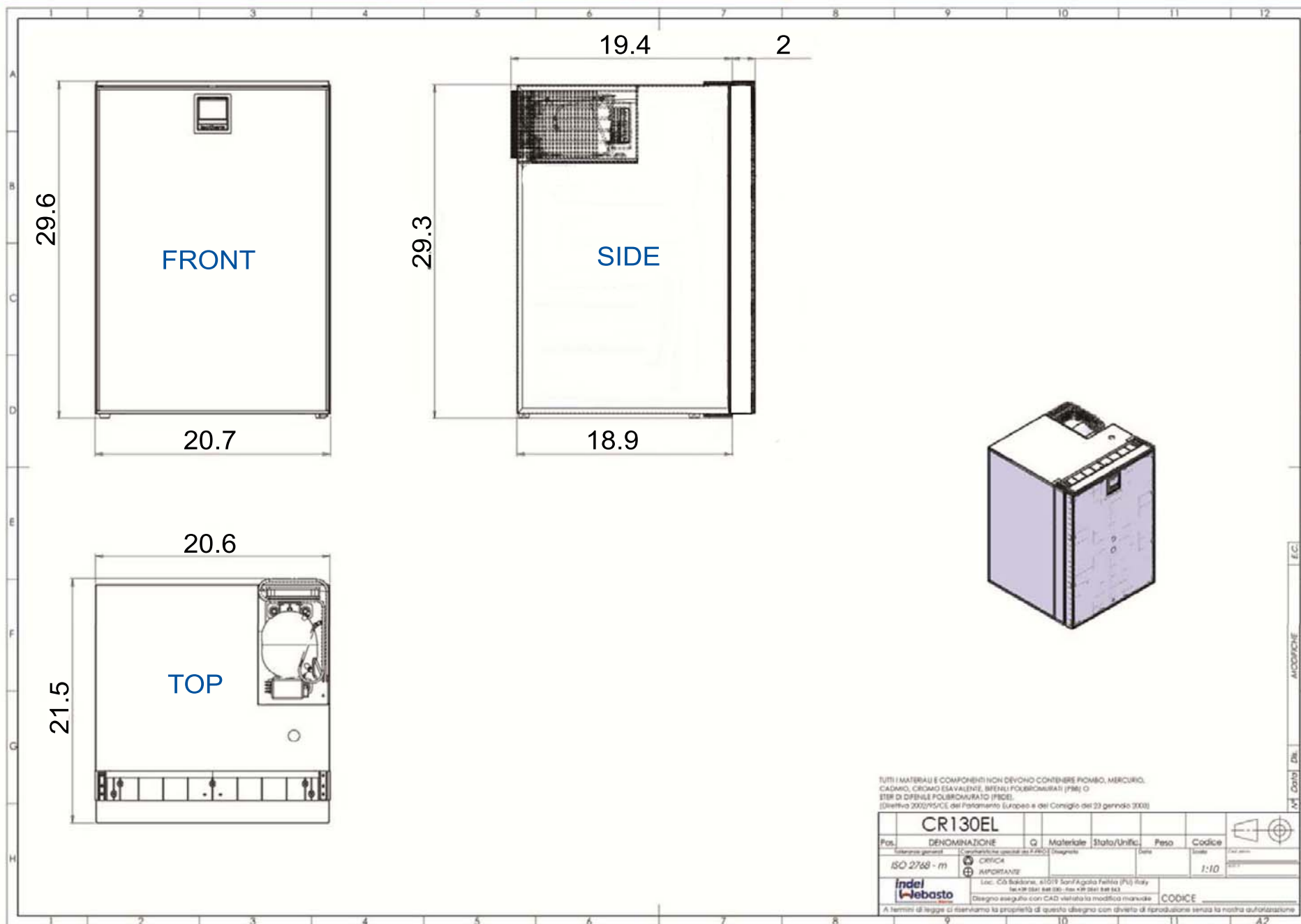
C130RSAAS71113AA - Cruise 130 Elegance Silver - AC/DC, Silver Door, internal mounting system (no flange necessary)

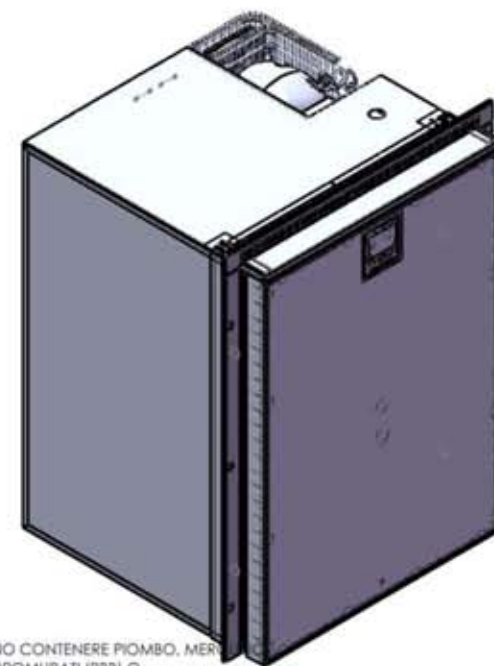
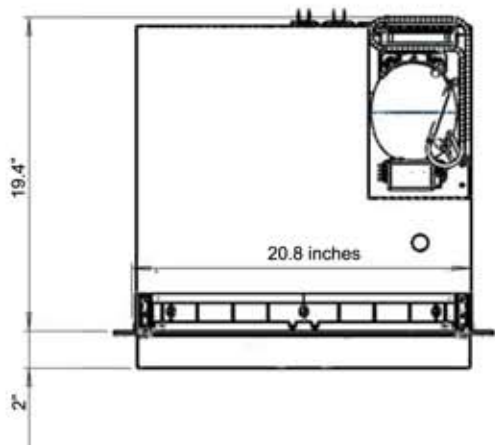
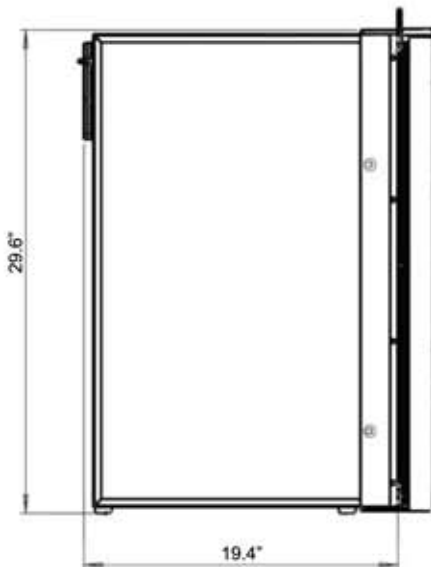
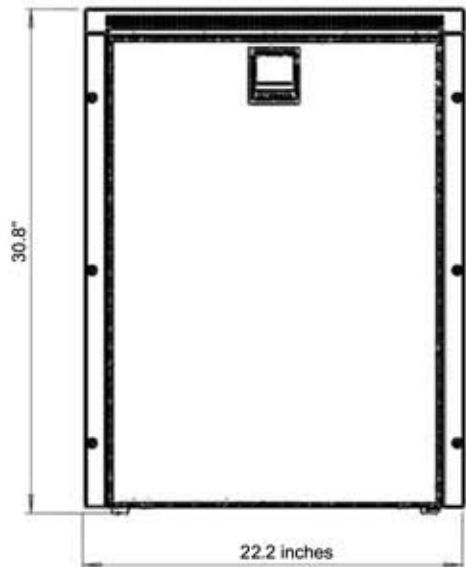
Technical Details:

- Type: CR EL 130
- Volume: 4.6 cft
- Dimensions: 29.6h x 20.7w x 19.4d
- Power Consumption W/24Hr: 400
- Weight: 64 Lbs.

Shipping Details:

- Shipping Weight: 64 Lbs. + 25 Lbs.
- Shipping Dims: 40" x 48" x 40"
- Country Of Origin: Italy
- Class: 150 - NMFC 53180
- Tariff Code: 8421.21.0000





TUTTI I MATERIALI E COMPONENTI NON DEVONO CONTENERE PIOMBO, MERCURIO, CADMIO, CROMO ESAVALENTE, BIFENILI POLIBROMURATI (PBB) O ETERE DI DIFENILE POLIBROMURATO (PBDE).
 [Direttiva 2002/95/CE del Parlamento Europeo e del Consiglio del 23 gennaio 2003]

Pos.	DENOMINAZIONE	Q	Materiale	Stato/Unific.	Peso	Codice
CR130 ELEGANCE + 3 SIDES FRAME						
Tolleranze generali		Caratteristiche speciali da F-PRO		Disegnato	Data	Scala
ISO 2768 - m		⚠ CRITICA ⊕ IMPORTANTE				1:8
		Via dei Ronchi, 11 - 47866 Sant'Agata Feltria (RN) Tel. +39 0541 848 030-Fax +39 0541 848 563			CODICE	
Disegno eseguito con CAD vietata la modifica manuale						
A termini di legge ci riserviamo la proprietà di questo disegno con divieto di riproduzione senza la nostra autorizzazione						

E.C.
 MODIFICHE
 N° Data Dis.