



Installation guide

S-link external switch interface

8730B/8730S

v1.0.1



SLEIPNER MOTOR AS

P.O. Box 519
N-1612 Fredrikstad
Norway
Tel: +47 69 30 00 60
Fax: +47 69 30 00 70

www.side-power.com
sidepower@sleipner.no

Made in Norway



SIDE-POWER Thruster Systems

Important !

This interface will only work with Side-Power thrusters with a S-link control system.

DO NOT connect any other control equipment to the S-link controlled products except Side-Power original S-link products or via a Side-Power supplied interface product made for interfacing with other controls. Any attempt to directly control or at all connect into the S-link control system without the designated and approved interface, will render all warranties and responsibilities for the complete line of Side-Power products connected void and null.

The 8730 external switch interface allows the use of mechanical foot switches or other normally open switches to control a S-link bow thruster. In addition it allows for connecting the 8980/8985 radio remote control.

If you have two thrusters bow and stern, then you need two 8730. One 8730B for bow and one 8730S for stern. You can change instance of 8730 B & S with a panel, see manual for panels for how to changing instance of 8730 B & S.

Installation:

1. Connect the (foot)switches according to the wiring diagram(s).
2. To connect the optional radio remote, first cut the wires close to the plastic connector on the “bow” connection lead according to Fig. 1. Strip the wires properly and connect to the 8730 according to the wiring diagram(s). Do the same with the “stern” wires if needed.
3. Mount the 8730 in a place where it will be protected from direct and condensed water ingress. Use cable ties or other suitable means of mounting.
4. Plug the S-link Spur cable into the green connector at the rear of interface box. Twist the locking ring on the connector clockwise to secure connector.



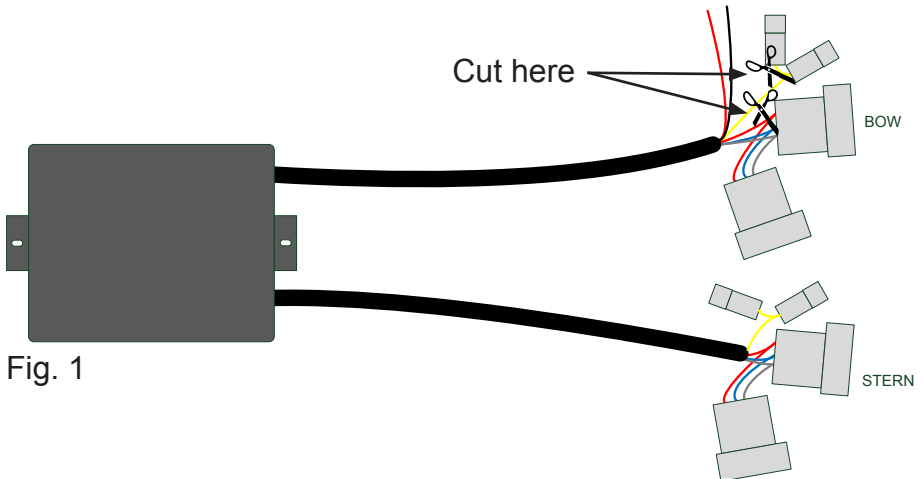
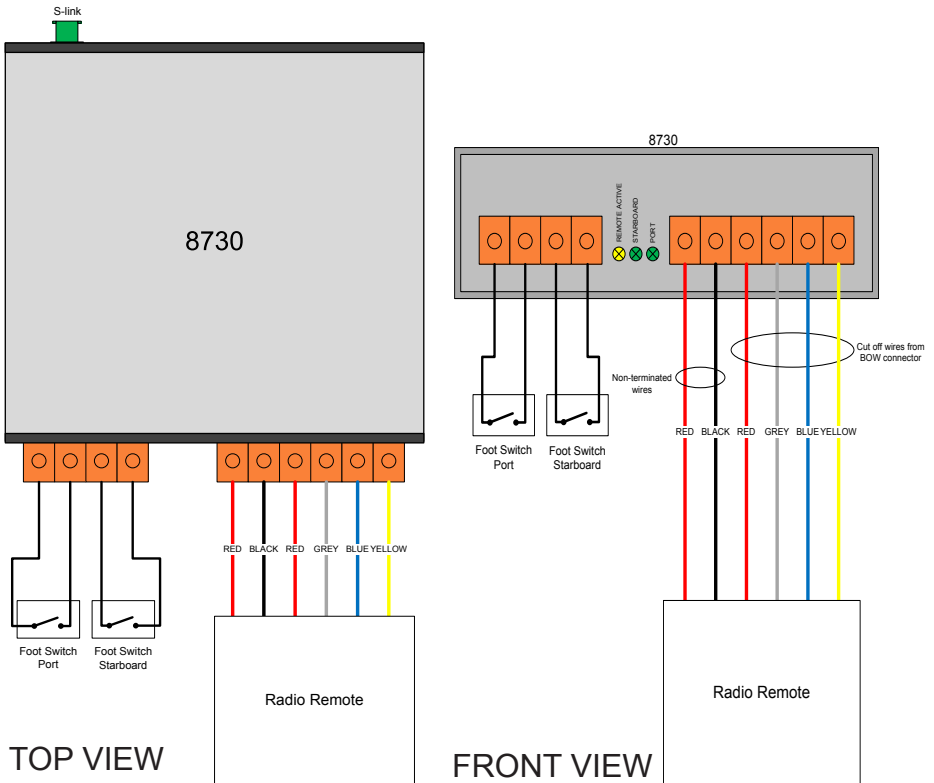
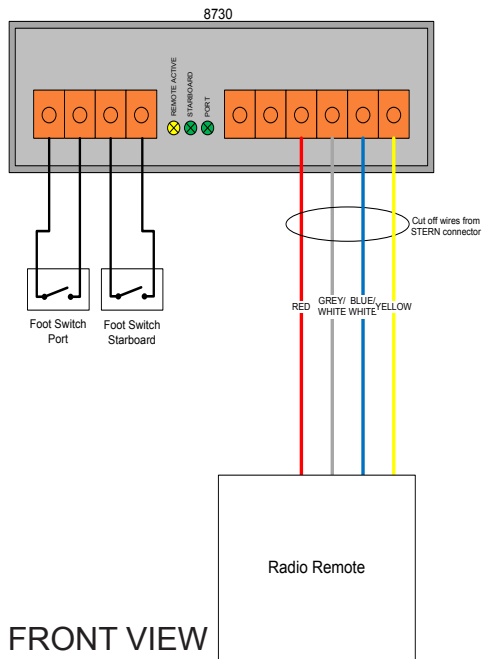
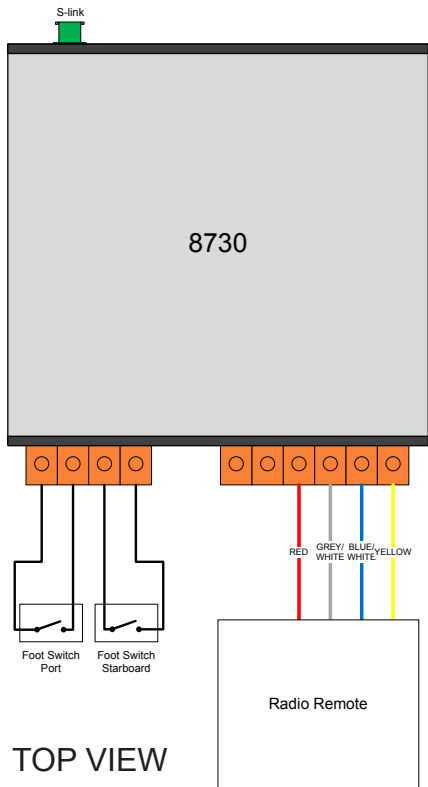


Fig. 1

8730B Wiring diagram:



8730S Wiring diagram:



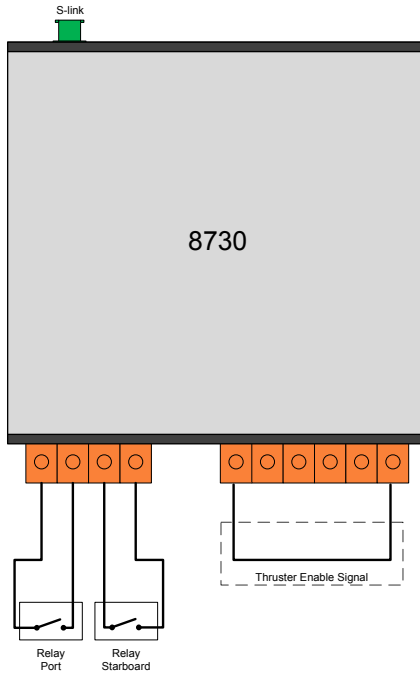
Using switch interface 8730 with other control units:

The 8730 needs to be activated for the switch inputs to work. Connect the control signals to the 4 pin connector as shown on wiring diagram below.

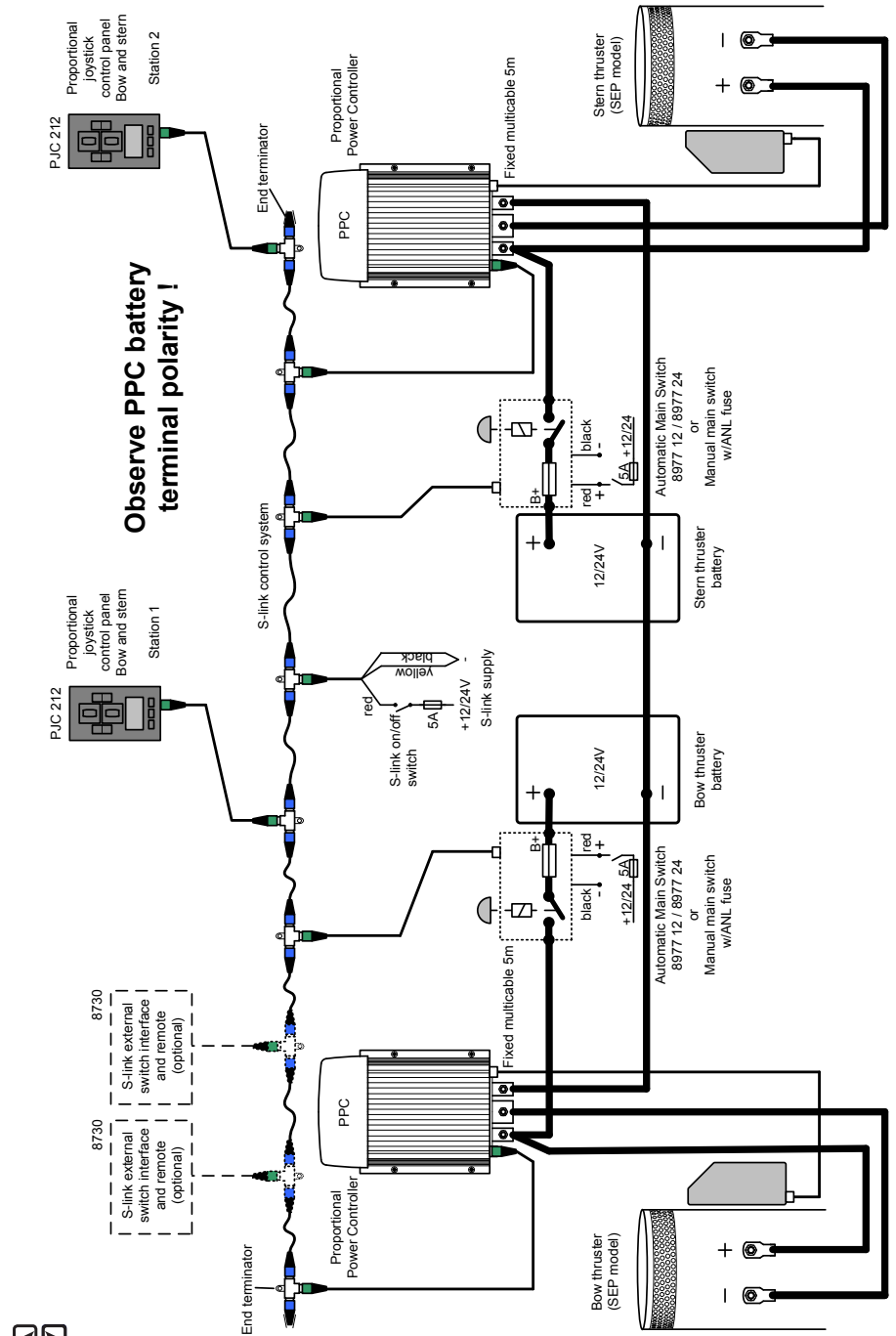
Solution 1: Use a control panel to activate 8730 by turning the panel ON.

When the last panel are turned OFF by timeout or OFF button the 8730 is deactivated. Preferred solution.

Solution 2: By connecting a wire from pin 1 to pin 6 on the 6 pin connector the 8730 will be activated and stay activated all the time when there is power on the S-Link (se wiring diagram below). NB! This solution cannot be used with an retract thruster.



Sample S-link system setup:





We **Sleipner Motor AS** declare that these control panels complies with health and safety requirements according to the Directive 89/336/EEC of 23 May 1989 amended by 92/31/EEC and 93/68/EEC.



Service Centres

Argentina

Trimer SA
Buenos Aires
Tel: +54 11 4580 0444
Fax: +54 11 4580 0440
www.trimer.com.ar
trimer@trimer.com.ar

Australia

AMI Sales
Freemantle, WA
Tel: +61 89 331 0000
Fax: +61 89 314 2929
ami@amisales.com.au

Austria

G. Ascherl GmbH
Hard, Bregenz
Tel: +43 5574 899000
Fax: +43 5574 89900-10
www.ascherl.at
office@ascherl.at

Benelux

ASA Boot Electro
Watergang
Tel: +31 20 436 9100
Fax: +31 20 436 9109
www.asabootelectro.nl
info@asabootelectro.nl

Brazil

Electra Service Ltda.
Guaruja
Tel: +55 13 3354 3599
Fax: +55 13 3354 3471
www.electraservice.br.com
albertoni@electraservice.com.br

Bulgaria

Yachting BG
Burgas
tel: +359 56 919090
fax: +359 56 919091
www.yachting.bg
info@yachting.bg

Canada

Imtra Corporation
New Bedford, MA
Tel: +1 508 995 7000
Fax: +1 508 998 5359
www.imtra.com
side-power@imtra.com

China/Hong Kong

Storm Force Marine Ltd.
Wanchai, Hong Kong
Tel: +852 2866 0114
Fax: +852 2866 9260
www.stormforcemarine.com
sales@stormforcemarine.com

Croatia

Yacht Supplier
Icici
Tel: +385 51 704 500
Fax: +385 51 704 600
acyachting@gmail.com

Cyprus

Ocean Marine Equipment Ltd
Limassol
Tel: +357 253 69731
Fax: +357 253 52976
oceanm@spidernet.com.cy

Denmark

Gertsen & Olufsen AS
Hørsholm
Tel: +45 4576 3600
Fax: +45 4576 1772
www.gertsen-olufsen.dk
info@gertsen-olufsen.dk

Estonia/Latvia/Lithuania

Miltec Systems OÜ
Tallin
Tel: +372 5013997
Fax: +372 6442211
www.miltec.ee
tony@miltec.ee

Finland

Nautikulma OY
Turku
Tel: +358 2 2503 444
Fax: +358 2 2518 470
www.nautikulma.fi
nautikulma@nautikulma.fi

France

Kent Marine Equipment
Nantes
Tel: +33 240 921 584
Fax: +33 240 921 316
www.kent-marine.com
contact@kent-marine.com

Germany

Jabsco GmbH
Norderstedt
Tel: +49 40 535 373-0
Fax: +49 40 535 373-11

Greece

Amaltheia Marine
Athens
Tel: +30 210 2588 985
Fax: +30 210 2588 986
www.amaltheiamarine.com
amalmar@otenet.gr

Iceland

Maras EHF
Reykjavik
Tel: +354 555 6444
Fax: +354 565 7230
www.maras.is
gummi@maras.is

India

Indo Marine Engineering Co. Pvt. Ltd
Pune, Maharashtra
Tel: +91 20 2712 3003
Fax: +91 20 2712 2295
siddharth@indogroup-asia.com

Ireland

Sleipner Motor Ltd.
South Brent
Tel: +44 1364 649 400
Fax: +44 1364 649 399
andy@sleipner.co.uk

Israel

Atlantis Marine Ltd.
Tel Aviv
Tel: +972 3 522 7978
Fax: +972 3 523 5150
www.atlantis-marine.com
atlantis@inter.net.il

Italy

Saim S.P.A.
Assago-Milan
Tel: +39 02 488 531
Fax: +39 02 488 254 5
www.saim-group.com

Japan

Turtle Marine Inc.
Nagasaki
Tel: +81 95 840 7977
Fax: +81 95 840 7978
www.turtle-marine.com
info@turtle-marine.com

Malta

S & D Yachts Ltd.
Cali
Tel: +356 21 339 908
Fax: +356 21 332 259
www.sdyachts.com
info@sdyachts.com

New Zealand

Advance Trident Ltd.
Auckland
Tel: +64 9 845 5347
Fax: +64 9 415 5348
www.advancetrident.com
service@advancetrident.com

Norway

Sleipner Motor AS
Fredrikstad
Tel: +47 69 30 00 60
Fax: +47 69 30 00 70
www.side-power.com
sidepower@sleipner.no

Poland

Taurus Sea Power SP. Z. O. O
Gdansk
Tel: +48 58 344 30 50
Fax: +48 58 341 67 62

Portugal

Krautli Portugal Lda.
Lisboa
Tel: +351 21 953 56 00
Fax: +351 21 953 56 01
www.krautli.com
contact@krautli.pt

Russia

Standarte
Starbeyevo
Tel: +7 495 575 67 23
Fax: +7 495 575 39 77
www.standarte.ru
info@standarte.ru

South Africa

C-Dynamics
Cape Town
Tel: +27 21 555 3232
Fax: +27 21 555 3230
www.c-dynamics.co.za
info@c-dynamics.co.za

Spain

Imnasa Marine Products
Girona
Tel: +34 902 300 214
Fax: +34 902 300 215
www.imnasa.com
imnasa@imnasa.com

Sweden

Sleipner AB
Strömstad
Tel: +46 526 629 50
Fax: +46 526 152 95
www.sleipnerab.se

Switzerland

Marine Parts Technics AG
Volkerswil
Tel: +41 1 997 40 90
Fax: +41 1 997 40 94
www.marineparts.ch
info@marineparts.ch

Singapore/Malaysia/ Indonesia/Vietnam/Philippines

Island Marine Services Pte Ltd
Singapore
Tel: +65 6795 2250
Fax: +65 6795 2250
www.island-marine.com
karl@island-marine.com

Taiwan

Mercury Marine Supply
Kaohsiung
Tel: +886 7 3317 293
Fax: +886 7 3314 232

Turkey

Denpar Ltd.
Istanbul
Tel: +90 212 346 1332
Fax: +90 212 346 1329
seda@denpar.com

UK

Sleipner Motor Ltd.
South Brent
Tel: +44 1364 649 400
Fax: +44 1364 649 399
andy@sleipner.co.uk

United Arab Emirates

Teignbridge Propellers & Marine
Equipment Co. Ltd.
Dubai
Tel: +971 4 324 0084
Fax: +971 4 324 0153
teignpro@emirates.net.ae

USA

Imtra Corporation
New Bedford, MA
Tel: +1 508 995 7000
Fax: +1 508 998 5359
www.imtra.com
side-power@imtra.com

