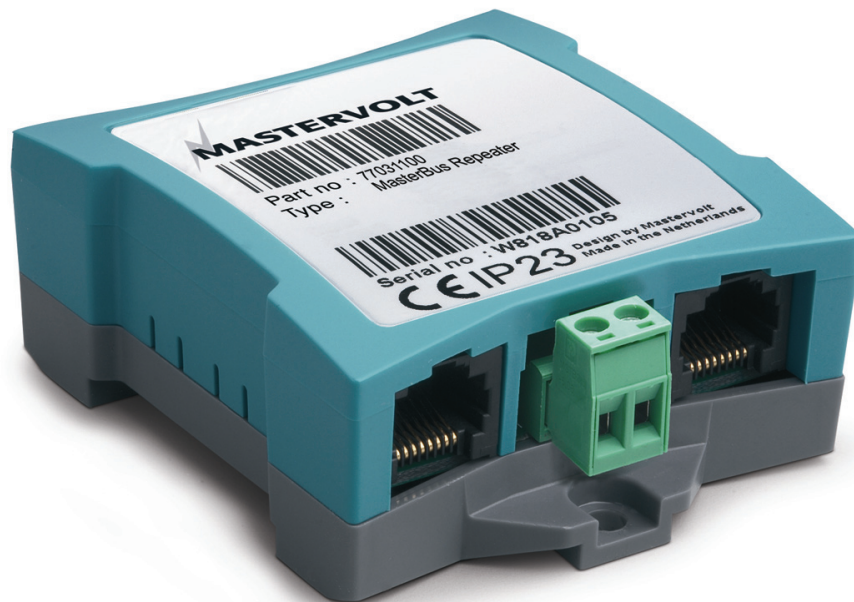




USERS MANUAL / GEBRUIKERSHANDLEIDING
BETRIEBSANLEITUNG / MANUEL D'UTILISATION
MANUAL DE UTILIZACION / INSTRUZIONI PER L'USO

MasterBus Repeater

Data refreshing device



MASTERVOLT
Snijdersbergweg 93,
1105 AN Amsterdam
The Netherlands
Tel.: +31-20-3422100
Fax.: +31-20-6971006
www.Mastervolt.com

ENGLISH:	PAGE 1
NEDERLANDS:	PAGINA 5
DEUTSCH:	SEITE 9
FRANÇAIS:	PAGINA 13
CASTELLANO:	PÁGINA 17
ITALIANO:	PÁGINA 21

1 GENERAL INFORMATION

1.1 Use of this manual

Copyright © 2009 Mastervolt. All rights reserved.
 Reproduction, transfer, distribution or storage of part or all of the contents in this document in any form without the prior written permission of Mastervolt is prohibited.

This manual serves as a guideline for the safe and effective operation of the MasterBus Repeater.
 Keep this manual at a secure place!

1.2 Guarantee specifications

Mastervolt guarantees that this product was built according to the legally applicable standards and stipulations. If you fail to act in accordance with the regulations, instructions and stipulations in this user's manual, damage can occur and/or the product will not fulfil the specifications. This may mean that the guarantee will become null and void.

IMPORTANT: Additional warranty agreements, like "Mastervolt system warranty" may contain restrictions which forbid resetting of historical data. The standard guarantee period is two years after date of purchase.

1.3 Liability

Mastervolt can accept no liability for:

- consequential damage due to use of the MasterBus Repeater;
- possible errors in the manuals and their results;
- Use that is inconsistent with the purpose of the product.



CAUTION!
 Never remove the identification label.

2 OPERATION

2.1 Repeater functions

The MasterBus repeater features two functions:

1. It refreshes the MasterBus data for further transportation. This is useful when data has to be transported by long cables. There are three refreshing modes: Off, Smart and On.
2. It powers the MasterBus network. The Repeater offers the choice between high and low powering mode. Both modes supply the same power, but low powering devices give priority to high powering devices when MasterBus powering is needed. This

means that when using more battery banks, you save one bank by setting the connected Repeater to *low powering*. This is convenient for small unmonitored battery banks.

2.2 MasterBus functions

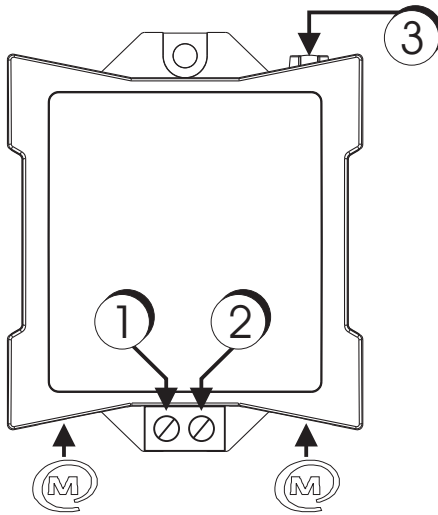
The table below shows the Repeater's MasterBus functions. These functions can be visualised by means of a MasterView display or the free downloadable MasterAdjust software.

Monitoring	Description	Default	Range
Device state	If the repeater state is OK, it is shown here.	OK	OK, -
Configuration			
Language	Set the MasterBus Repeater menu language	English	See specifications
Name	Any name you wish with 12 characters max	MRP Repeater	12 characters max
Repeater mode	The repeater can be switched Off, Smart or On. In all cases, power supply is functional if 8-35V DC is connected. Off: no data transport. In this mode, MasterBus is divided into <i>two separate networks!</i> On: all data is refreshed by the Repeater. Smart: data is refreshed only if the data receiver is at the other side of the repeater (less data traffic).	On	Off, Smart, On
Power mode	The Repeater can be set to <i>low</i> and <i>high powering</i> , see also Specifications.	High	Low, High


3 INSTALLATION

3.1 Overview

Insert the MasterBus cables, then connect the DC cables (input 8-35 V) to the screw terminal, see below.



1. DC +
2. DC -
3. Communication LED, illuminating when data transport is present

 MasterBus connector

Functions:

Off: no data is refreshed by the Repeater.

On: all data is refreshed by the Repeater.

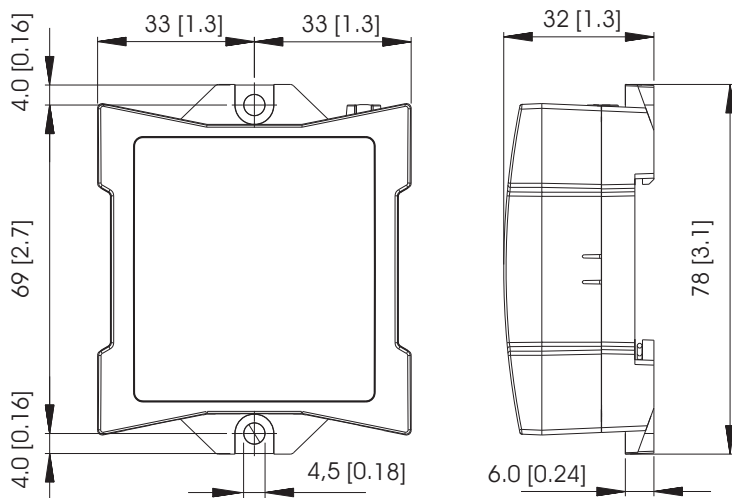
Smart: the Repeater “knows” what device sends the data and at which side of the Repeater it is located. Data is refreshed only if the data receiver is at the other side of the repeater.

Functional scheme of the MasterBus Repeater

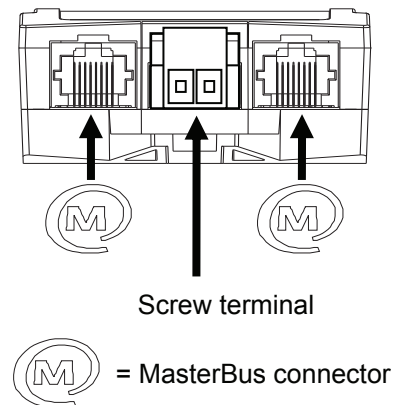
4 SPECIFICATIONS

Model:	MasterBus Repeater
Article number:	77031100
Delivery also includes:	Screw terminal, MasterBus cable, MasterBus Terminating device, User's manual
Function of instrument:	MasterBus data refreshing and powering device
Recommended for cable lengths above:	250 m, less than 10 devices connected, 150 m, less than 25 devices connected, 100 m, less than 50 devices connected.
Languages available:	English, Nederlands
Input voltage:	8-35 V DC
Powering capability:	Low powering 12 V (8 V at full bus load) High powering 16 V (8 V at full bus load)
Din rail mounting:	Yes, Din rail 30 mm [1.2 inch]
Protection degree:	IP 21
Dimensions:	66 x 78 x 32 mm [2.6 x 3.1 x 1.3 inch]; see drawing below
Weight:	Approx. 90 gr [0.20 lb] including screw terminal

5 DIMENSIONS



Dimensions in mm (inch) and connections



6 EC DECLARATION OF CONFORMITY

This product is in conformity with the provision of the EC EMC directive 89/336/EEC and amendments 92/31/EEC, 93/68/EEC. Standards applied:
Generic emission standard: EN 50081-1:1992,
Generic Immunity standard: EN 50082-1:1997,
Safety directive 2006/95/EC, with the following standard,
Low voltage standard: EN 60950: 2000.



MASTERVOLT

Snijdersbergweg 93, 1105 AN Amsterdam, The Netherlands

Tel : + 31-20-3422100

Fax : + 31-20-6971006

Email : info@mastervolt.com