

1

This Quick installation guide provides a brief overview of a Digital Input basic installation.



Reading the user's manual is still necessary for safety instructions, additional features, best performance and years of trouble-free service. The Digital Input manual is available at www.Mastervolt.com.

2



Read the safety instructions (chapter 2 of the user's manual).



Safety regulations and measures

1. Install the switch according to the instructions in both the user's and installation manual.
2. Never use switches at a location where there is danger of gas or dust explosions.
3. Connections and safety features must be executed according to locally applicable regulations.

Mastervolt does not hold itself liable for:

- Damage resulting from the use of the switches;
- Possible errors in the included manual and the consequences of these;
- Use that is inconsistent with the purpose of the product.

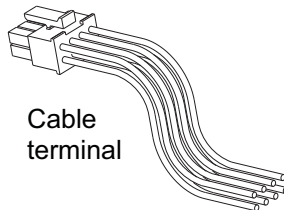
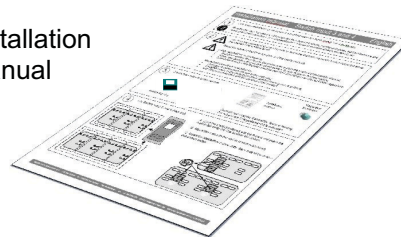
3

Check the contents of the delivery.

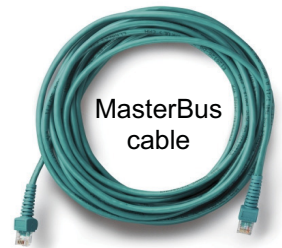


Digital Input

Installation manual



Cable terminal



MasterBus cable

MasterBus Terminator

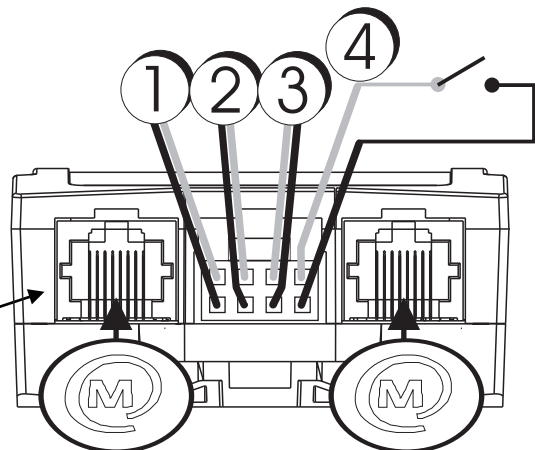


Contact your supplier if one of the items is missing. Do not use the Digital Input if it is damaged.

4

Connect the wires

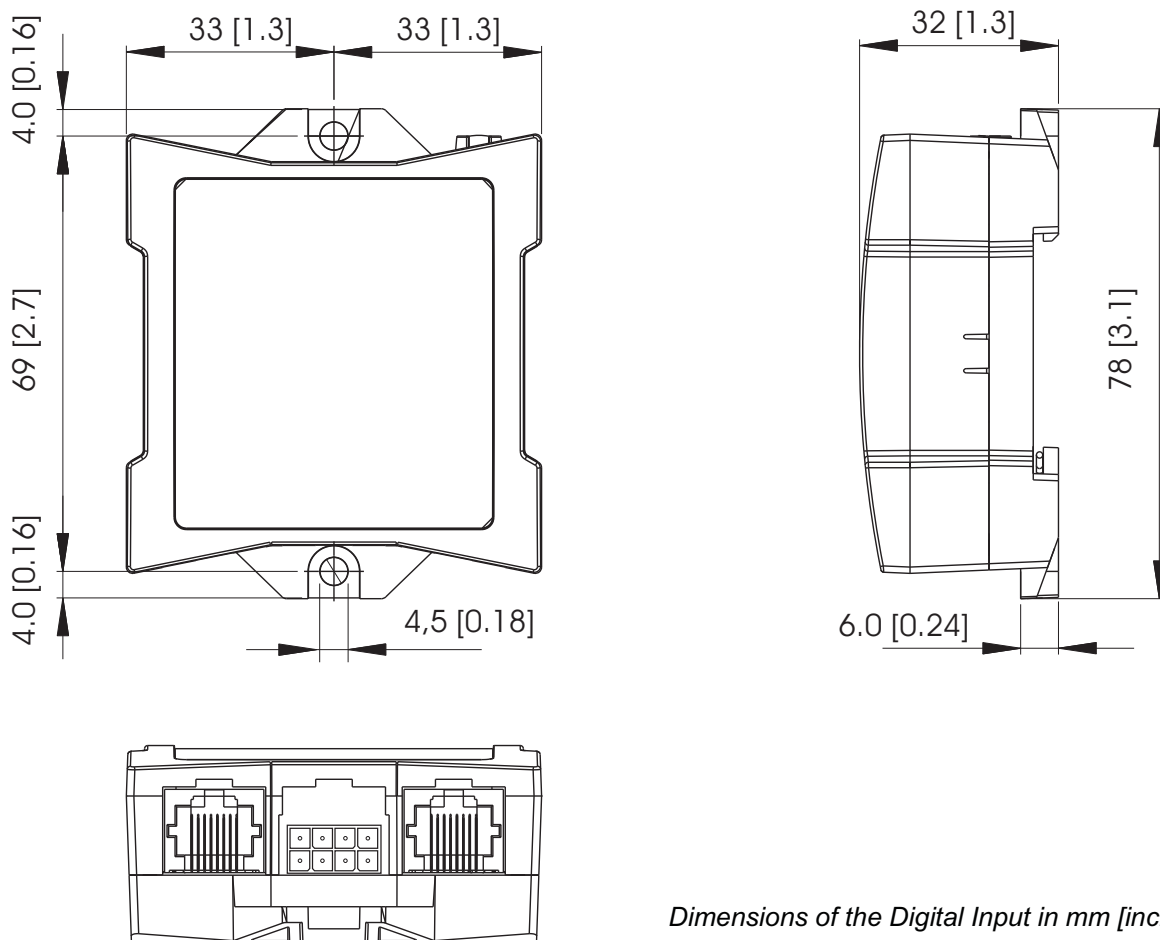
- A. Connect maximum 4 simple electrical switches to the wires.
- B. Click the cable terminal into place.
- C. Mount the casing to the wall or to a DIN rail.
- D. Insert the MasterBus cables into the connectors like shown.



5 Configure the Digital Input for MasterBus communication (see user's manual for event configuration):

| Variable | Description | Default | Range |
|---|---|-------------------|--|
| <i>Configuration at the Digital Input</i> | | | |
| Language | Language setting of the Digital Input. | English | 10 languages. |
| Device name | Name of your Digital Input in the MasterBus system. If you have more than one Digital Input you should change names. | DSI Digital in | DSI + any maximum 12 character name. |
| Events locked | Option to disable event configuration on the device. Operable by installer only (log in required). | Unchecked | Unchecked, Checked |
| Switch X | Name of switch X. X ranges (1-4). Naming the switches after their application is convenient, for instance "Anchor light" for the anchor light switch. | Switch X | Any maximum 16 character name. |

| Specifications | Digital Input |
|----------------------------------|--------------------------------|
| Article number | 77030900 |
| Number of configurable events | 63 |
| Power consumption in sleep modus | 0.21 mA |
| Protection degree | IP 21 |
| Weight | 125 g including cable terminal |



Dimensions of the Digital Input in mm [inch]