

### Royal

Manual rope/chain windlass for boats from 26'-39'. For some smaller vessels without sufficient electrical systems, a manual windlass makes sense. Royal is easy to install and features a smooth, double-action operation that makes anchoring a quick and simple task.

#### Standard Equipment

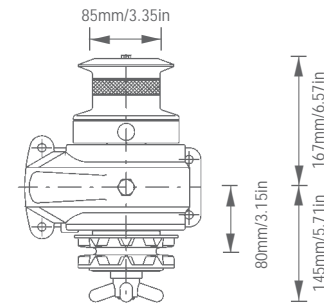
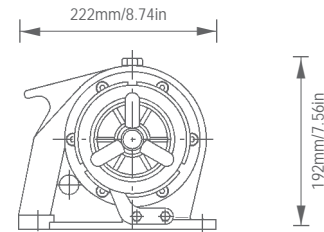
Manual operation handle

#### FEATURES

Finish	Anodized or White
Motor	N/A
Gearbox	Bevel Gears
Gears	Aluminum
Gear Ratio	1.2:1
Mainshaft	Stainless
Chainpipe	Not Included
Chain Stripper	Stainless
Mounting Hardware	Insulated Bushings Only
Manual Override	N/A
Rope Capstan	Standard
Extra Deck Clearance	N/A

#### SPECIFICATIONS

Power Rating (lbs.)	440
Chain Size	1/4", 5/16", 3/8"
Rope Size	1/2" - 3/4"
Net Weight (lbs.)	20



#### When a manual is the right choice.

In many circumstances, a manual windlass makes the most sense. Electrical limitations, infrequent anchoring and often budget make this choice a significant upgrade from the back-breaking, if traditional, hand-over-hand method of recovering ground tackle.