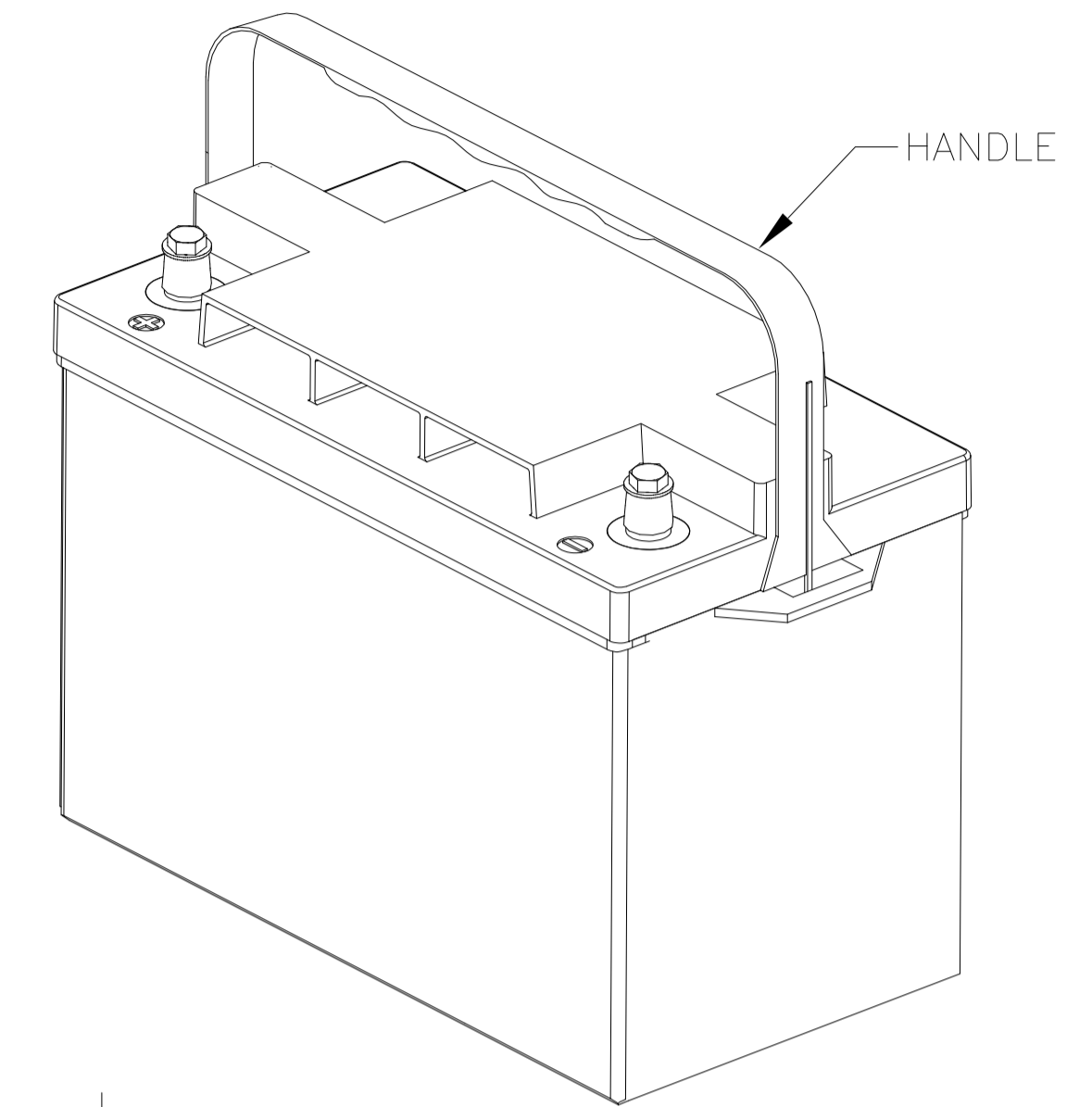
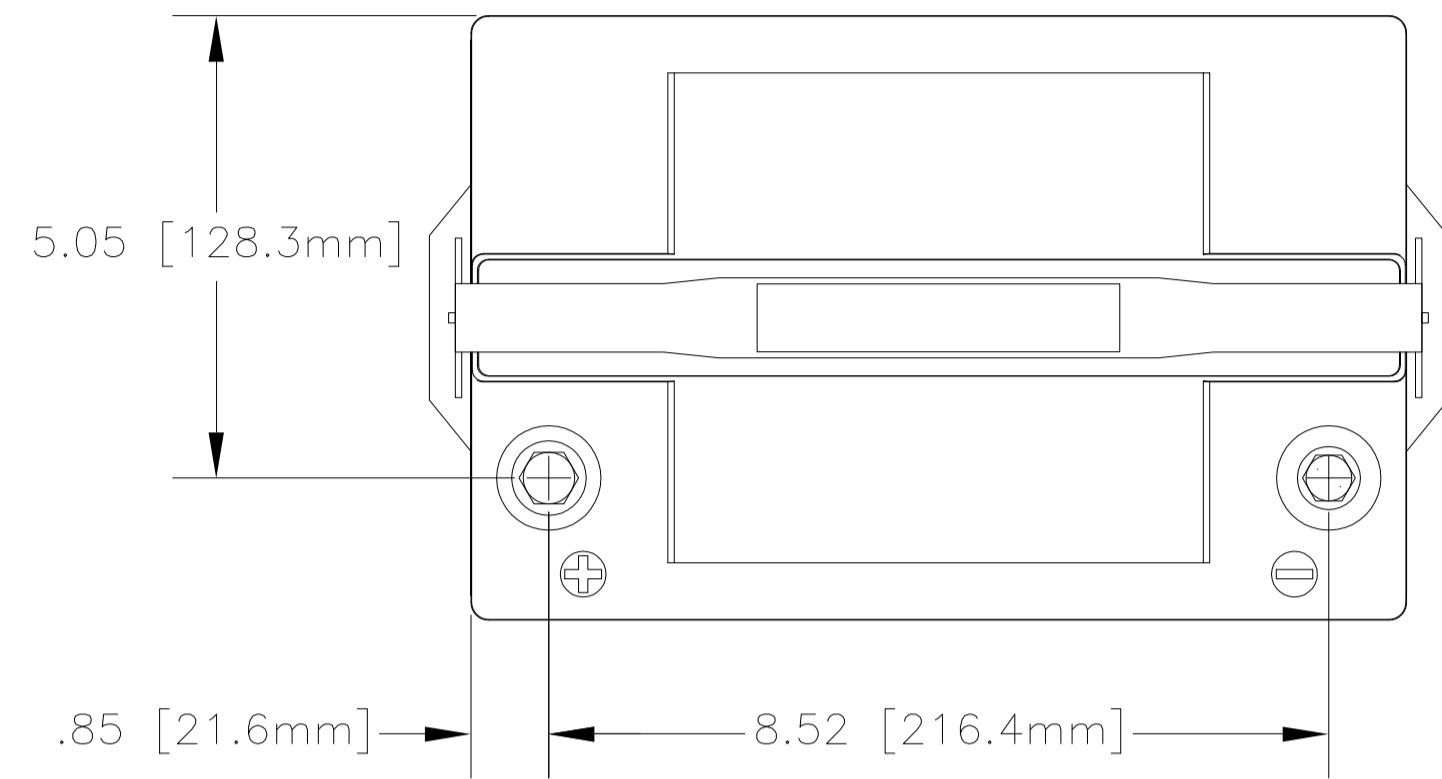


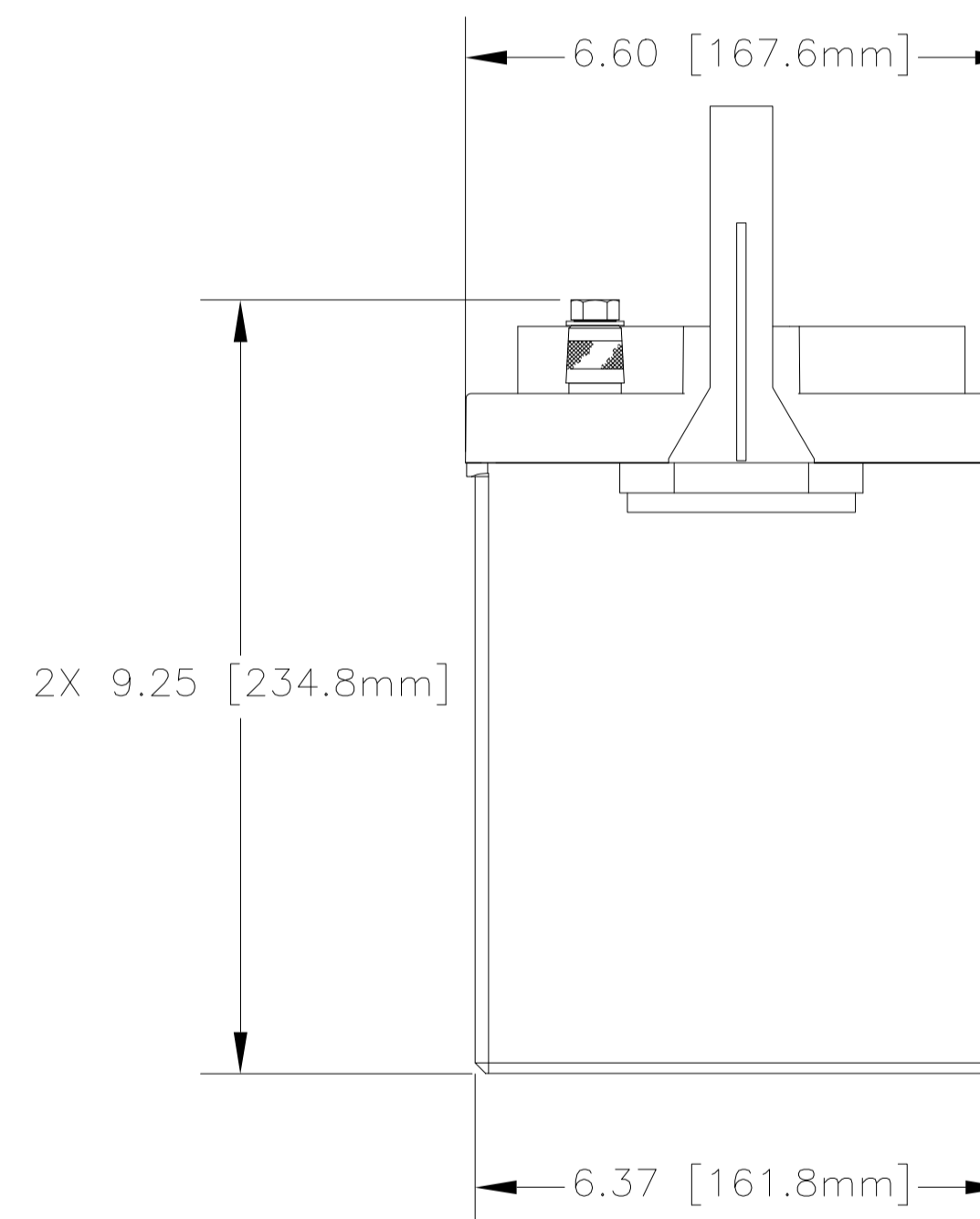
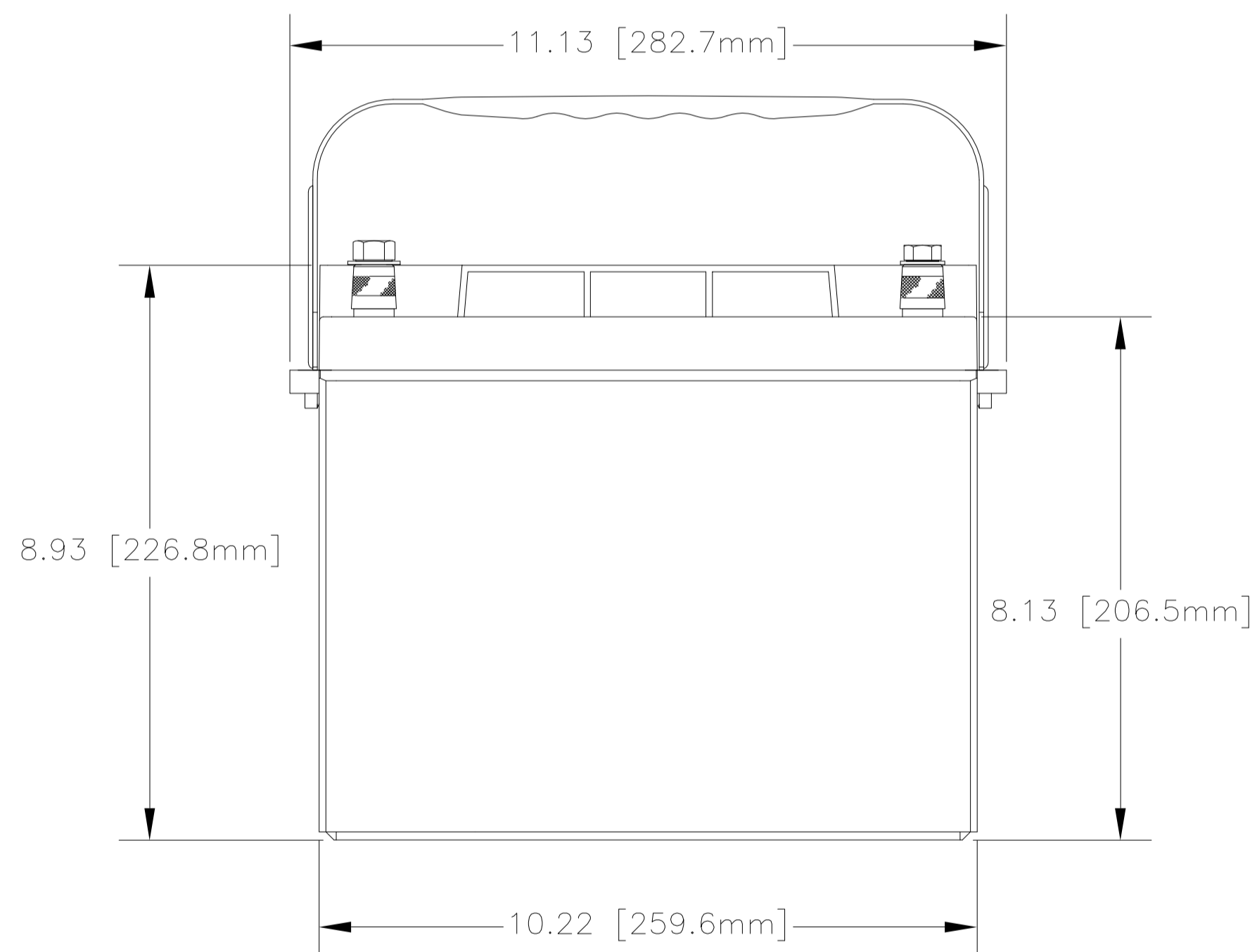
NOTES: UNLESS OTHERWISE SPECIFIED

1. SEE DRAWING NO. CB-00288 AND PROCEDURE P-1000 FOR ASSEMBLY AND TEST INSTRUCTION. PROCEDURES AND ASSEMBLY DRAWINGS ARE FOR INTERNAL USE ONLY.
2. ALL TESTS ARE IAW BATTERY COUNCIL INTERNATIONAL STANDARDS.
3. ALL DIMENSIONS ARE IN INCHES [MM].

REVISIONS			
REV	DESCRIPTION	DATE	APPROVED



REFERENCE VIEW



CAPACITY RATE	
PART NUMBER	GPL-2400T
NOMINAL WEIGHT	53 LBS [24.1 KG]
AMPERE HOUR CAPACITY @ 20 HOUR 1.75 VOLTS/CELL @ 77°F (25°C)	75 AH
MINUTES OF DISCHARGE @ 25 AMPS 1.75 VOLTS/CELL @ 77°F (25°C)	172 MIN
COLD CRANKING AMPS @ 68°F	870
COLD CRANKING AMPS @ 32°F	790
COLD CRANKING AMPS @ 0°F	650

ENVELOPE DRAWING

QTY REQD	CAGE CODE	PART OR IDENTIFYING NO.	NOMENCLATURE OR DESCRIPTION	MATERIAL SPECIFICATION	ITEM NO.
PARTS LIST					
UNLESS OTHERWISE SPECIFIED DIMENSIONS ARE IN INCHES TOLERANCES ARE: FRACTIONS DECIMALS ANGLES ± 1/32 .XX ± .06 ± 1'			CONCORDE BATTERY CORPORATION 2009 SAN BERNARDINO RD, W. COVINA, CA 91790		
TREATMENT NONE		APPROVALS DATE		TITLE BATTERY, 12 VOLT, GPL-2400T	
FINISH NONE		DRAWN S.FRAZIER 5/7/02		SIZE CAGE CODE DWG NO. REV	
SIMILAR TO NA		CHECKED HRF 5/14/02		C 63017 GPL-2400T	
ACT WT NA CALC WT NA		APPROVED JBT 5/17/02		SCALE NONE	
		ISSUED AT 5/23/02		SHEET 1 OF 1	