



Marine Warehouse
2330 NW 102 Avenue, Suite 1
Doral, FL 33172
USA
Tel: (305) 635-0776
sales@marinewarehouse.net

Isotherm DRAWER 55 Frost Free Stainless Steel (INOX) - marine DRAWER Freezer

The Drawer 55 Frost-Free Freezer is a 1.9 cubic foot stainless steel drawer freezer. This model combines innovative stainless steel design with the most modern technology such as automatic defrost which gives owners the comforts of home on board. The DR 55 F is equipped with an internal fan for temperature constant control and a sequence of 5 LED lights for blue internal light.

The Drawer 55 Freezer fits the common cutouts for 65 liter class of refrigerators so it is easy to upgrade to the convenience of a drawer freezer without extensive modifications to your boat's cabinetry.

All Isotherm marine refrigerator drawer sizes fit common cutouts for conventional door-style refrigerators on boats and provide a convenient and upscale way to store food and beverages. Like all Isotherm products, the Drawer models are backed by the exclusive Isotherm 5-year limited warranty on all compressors and two years on all parts



Your Advantages:

- No ice accumulation for an excellent efficiency increase
- Exceptional cooling achievement
- Stable inside temperature
- Manual defrosting becomes redundant
- No more unpleasant water pools resulting from manual defrosting

Available Models:

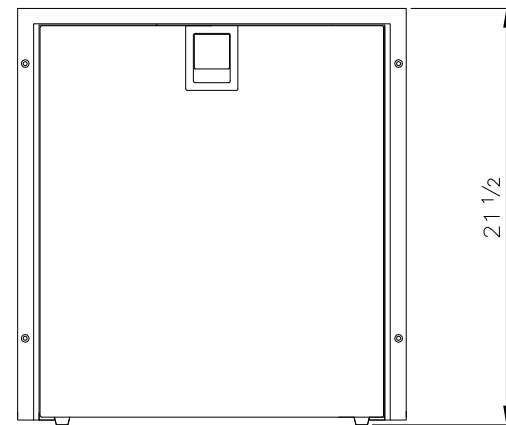
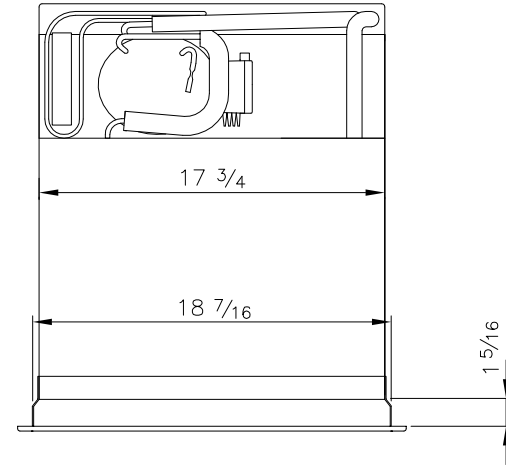
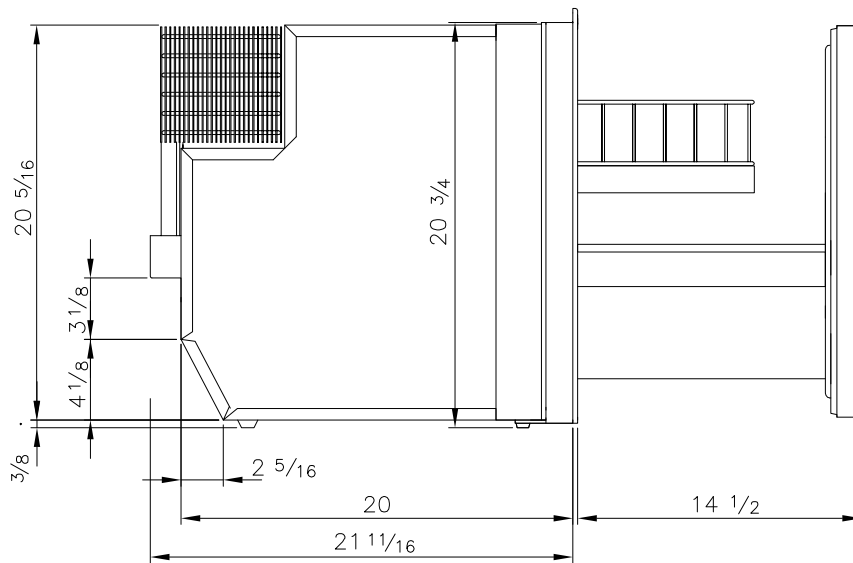
3055BH4C00000 - Drawer 55 - Frost Free Deep Freezer Stainless Steel Door - AC/DC, 4 sided flange

Technical Details:


- Type: DR 55 FREEZER Frost-Free
- Volume: 1.9 cft
- Dimensions: 20.9H x 18.5W x 21D
- Power Consumption: 600W/24Hr
- Weight: 66 Lbs

Marine Warehouse

Miami - Trinidad - Panama - Grenada - Tahiti - Curacao - Bonaire - Aruba - St Maarten - Colombia - Langkawi - Nuku-Hiva - Raiatea



RevNo	Revision note	Date	Signature	Checked

Itemref	Quantity	Title/Name, designation, material, dimension etc			Article No./Reference	
Designed by	Checked by	Approved by - date	Filename	Date	Scale	
				080103/LLG		
Owner			Title/Name			
			Isotherm DR 55 Freezer INOX			
			Drawing number	Edition	Sheet	
			DR 55F INOX	U		