



**Marine Warehouse**  
2330 NW 102 Avenue, Suite 1  
Doral, FL 33172  
USA  
Tel: (305) 635-0776  
sales@marinewarehouse.net

---

### **Isotherm DRAWER 49 Stainless Steel (INOX) - marine drawer refrigerator**

The Isotherm Drawer 49 Stainless Steel (INOX) is a new, 1.75 cubic foot, space-saving drawer unit with a rugged yet handsome 316 grade brushed stainless steel door. With a volume of 49 liters, The DR49 features bins and bottle racks to keep supplies secure in rough weather. The interior is designed to fit tall bottles, 12-ounce cans, and refrigerated foods with a robust internal freezer drawer, integrated adjustable divider bars, and internal blue LED light.



All Isotherm marine refrigerator drawer sizes fit common cutouts for conventional door-style refrigerators on boats and provide a convenient and upscale way to store food and beverages. Like all Isotherm products, the Drawer models are backed by the exclusive Isotherm 5-year limited warranty on all compressors and two years on all parts.

#### **Your Advantages:**

- Volume: 49 liters
- Easy user-friendly access
- Robust drawer mechanism
- Stainless steel front door
- Freezer compartment
- Adjustable bars
- Internal blue LED light



#### **Available Models:**

**3049BA2C00000** - Drawer 49 Stainless Steel Refrigerator with Freezer Compartment - DC ONLY - 4 - Sided Stainless Steel Flange

**3049BA7C00000** - Drawer 49 Stainless Steel Refrigerator with Freezer Compartment - AC/DC, 4 - Sided Stainless Steel Flange

---

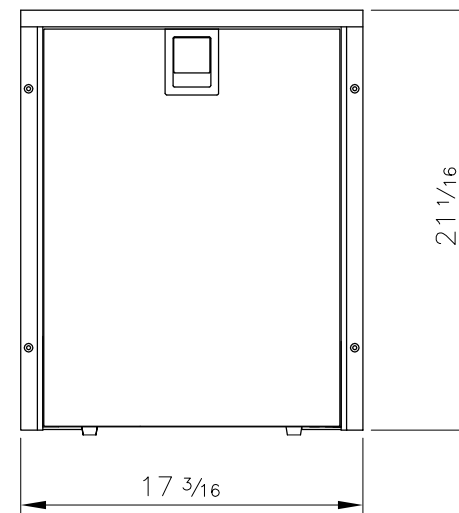
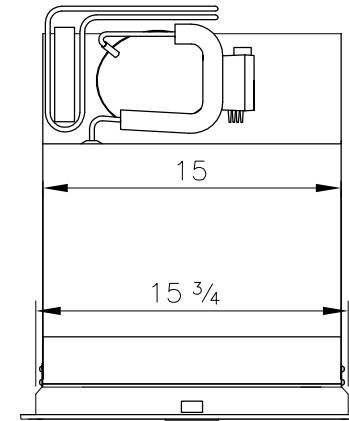
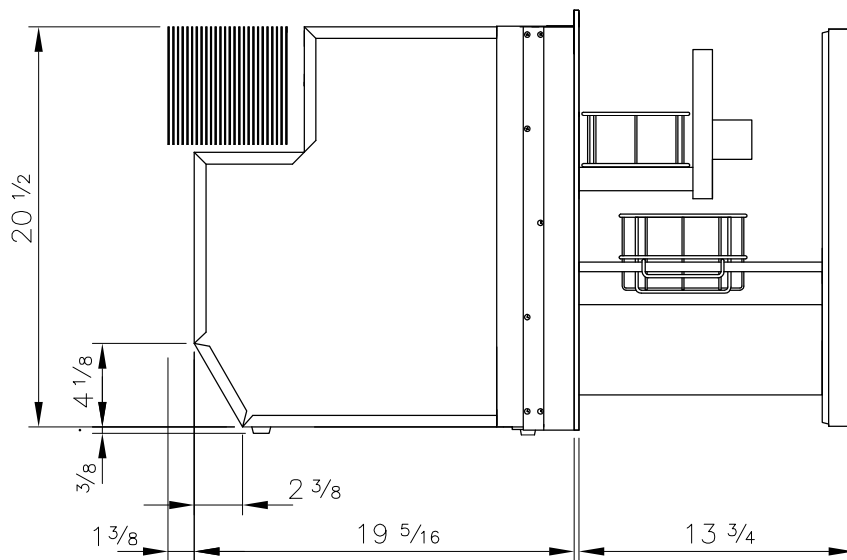
#### **Technical Details:**

- Type: DR 49 INOX
- Volume: 1.75 (cu.ft)
- Freezer Volume: 6 liters
- Dimensions (inches): 20.9h x 15.9w x 20.5d
- Power Consumption W/24Hr: 340
- Weight: 59 lbs.

---

Marine Warehouse

Miami - Trinidad - Panama - Grenada - Tahiti - Curacao - Bonaire - Aruba - St Maarten - Colombia - Langkawi - Nuku-Hiva - Raiatea



RevNo	Revision note	Date	Signature	Checked

Revref	Quantity	Title/Name, designation, material, dimension etc			Article No./Reference
Designed by	Checked by	Approved by - date	File name	Date	Scale
				080103/LLG	
Owner			Title/Name		
			Isotherm DR 49 INOX		
			Drawing number	Edition	Sheet
			DR49 INOX	U	