



**Marine Warehouse**  
2330 NW 102 Avenue, Suite 1  
Doral, FL 33172  
USA  
Tel: (305) 635-0776  
sales@marinewarehouse.net

---

## **Isotherm CRUISE 49 Clean Touch Stainless Steel Fridge**

The Isotherm Cruise 49 Clean Touch Stainless Steel is the latest development in the Cruise Elegance line. The new Isotherm Clean Touch stainless steel is specially treated to remain clean to the touch and resist the rigors of the marine environment. The Clean Touch has excellent scratch and abrasion resistance as well as resistance to stains. As the premier marine refrigeration brand, the Isotherm Clean Touch provides excellent resistance to salt spray, sun, heat, UV, and condensation in the marine environment.

Like the original Elegance doors, the new Isotherm Clean Touch door is thicker than traditional doors which results in lower power consumption, greater energy efficiency, and superior performance. The wider, more ergonomic, center handle and door design allow for easy swing change from right to left swing.



The new Isotherm Clean Touch Stainless Steel doors are available on five models: 42, 49, 65, 85 and 130 liters. These models represent the most common cutout dimensions in the marine and mobile industry, making the upgrade to the new Clean Touch simple and easy.

### **Your Advantages:**

- Volume: 49 liters
- Silent, high efficient, fan cooled 12/24V Danfoss / Secop compressor
- Easy fix system
- White LED internal lighting

### **Available Models:**

**C049RNGIT11111AA** - Cruise 49 Clean Touch Stainless Steel - DC Only, 4 - Sided Stainless Steel Flange

**C049RNGIT71113AA** - Cruise 49 Clean Touch Stainless Steel - AC/DC, 4 - Sided Stainless Steel Flange

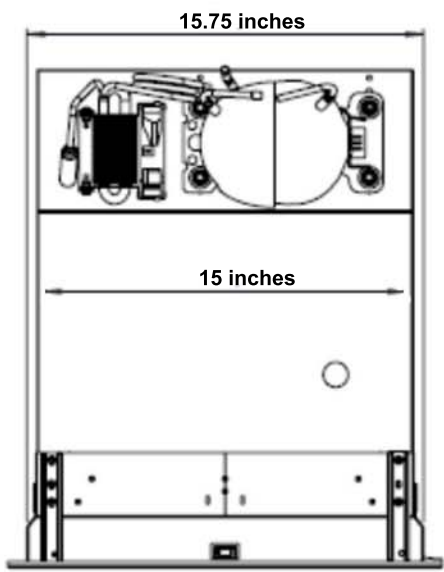
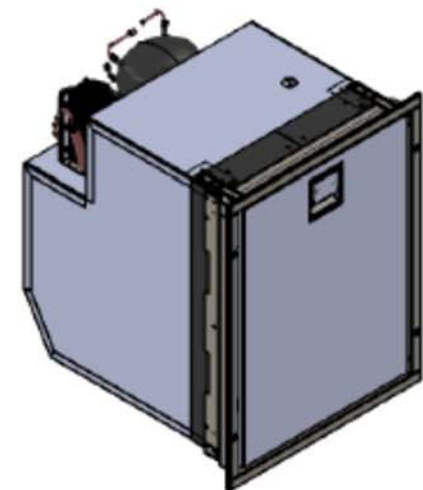
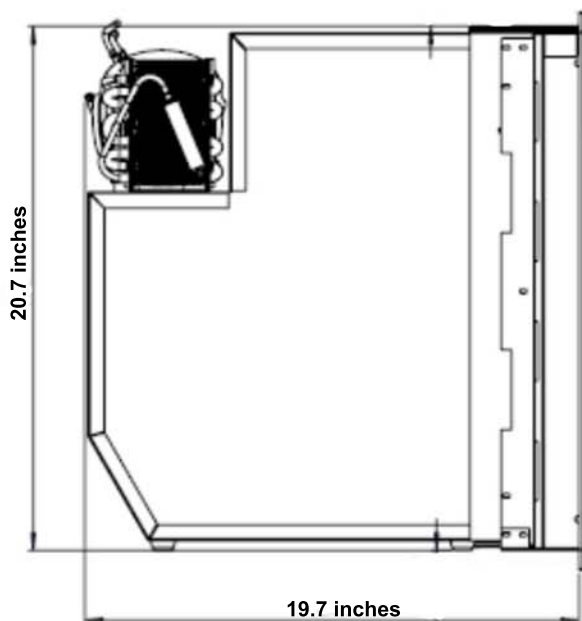
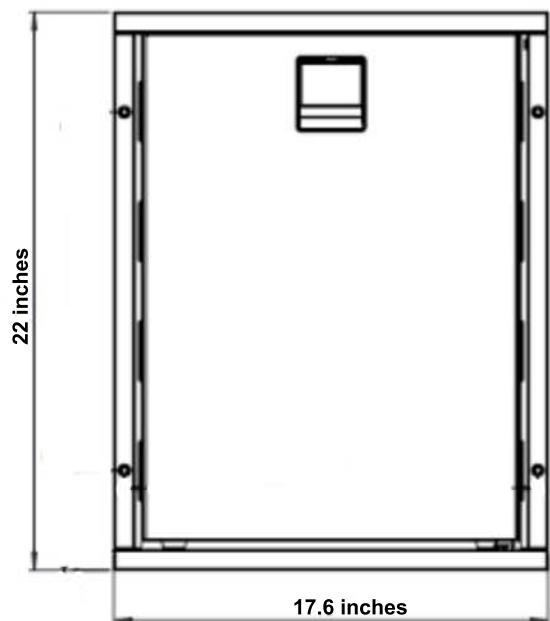
### **Technical Details:**

- Type: CR 49 CT INOX
- Volume: 1.75 cu.ft. or 49 liters
- Dimensions (mm): 20.7h x 15.7w x 19.7d
- Power Consumption W/24Hr: 265
- Weight: 40 lbs.

---

Marine Warehouse

Miami - Trinidad - Panama - Grenada - Tahiti - Curacao - Bonaire - Aruba - St Maarten - Colombia - Langkawi - Nuku-Hiva - Raiatea



TUTTI I MATERIALI E COMPONENTI NON DEVONO CONTENERE PIOMBO, MERCURIO, CADMIO, CROMO ESAVALENTE, BIFENILI POLIBROMURATI (PBB) O ETERI DI DIFENILE POLIBROMURATO (PBDE).  
 (Direttiva 2002/95/CE del Parlamento Europeo e del Consiglio del 23 gennaio 2003)

CRUISE 49 CLEAN TOUCH						
Pos.	DENOMINAZIONE	Q.	Materiale	Stato/Unific.	Peso	Codice
ISO 2768 - m	CRITICA					1:10
	IMPORTANTE					
			Via dei Ronchi, 11 - 47866 Sant'Agata Feltria (RN) Tel. +39 0541 848 000-Fax. +39 0541 848 543			
Disegno eseguito con CAD vietata la modifica manuale						CODICE
A termini di legge ci riserviamo la proprietà di questo disegno con divieto di riproduzione senza la nostra autorizzazione						

E.C.  
 MODIFICHE  
 Data  
 Dis.



A3