

DW100

Power supply

Alimentation
Alimentación

12/24 Vdc

100-240 Vac 50/60 Hz

DW100RXP4-EF

Power supply and nominal consumption

Alimentation et consommation nominale
Alimentación y consumo nominal

12 Vdc 115 Vac 60 Hz

40 W (3.38 A) 40 W (0.53 A)

Net Weight

Poids net
Peso neto

Lbs.

68.3

DW100RXN4-EF

12 Vdc 115 Vac 60 Hz

52 W (4.34 A) 51 W (0.64 A)

Lbs.

68.3

Available as
Disponible comme
Disponible cómo

1 Refrigerator
Réfrigérateur
Frigorífico

2 Freezer
Congélateur
Congelador

Cu. Ft.

3.3



DW100
RXP4-EF

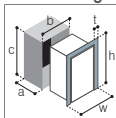


DW100
RXN4-EF

Flush Flange

Built-in
Compartiment encastrément
Alojamiento empotrado

Mounting flange
Cadre de fixation
Perfil de fijación



a: 25 7/16
b: 21 1/16
c: 20 7/8

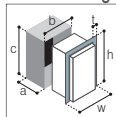
t: 1
w: 22 15/16
h: 21 5/16



Surface Flange

a: 23 7/8
b: 20 13/16
c: 20 7/8

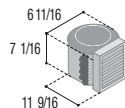
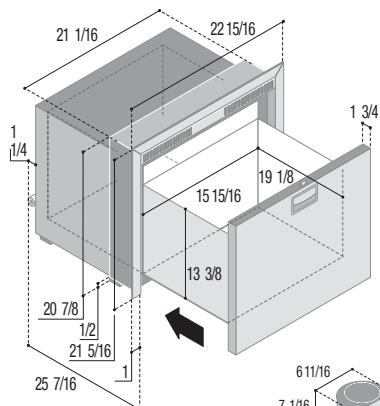
t: 11/16
w: 22 1/8
h: 21



Surface Flange versions

Surface flange versions
Surface flange versiones

DW100RXP4-ES
DW100RXN4-ES



H max
14 15/16 in.