

Stainless steel refrigerators and freezers with built-in cooling unit

DP2600IXD4-F

Total volume
Capacité totale - Capacidad totale 8.1 Cu. Ft.

Freezer compartment
Compartment freezer - Congelador 2.1 Cu. Ft.

Net weight
Poids net - Peso neto 136.6 Lbs.

Power supply and nominal consumption

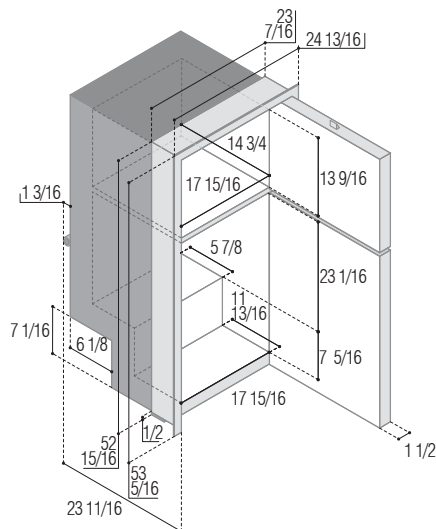
Alimentation et consommation nominale

Alimentación y consumo nominal

12/24 Vdc 100-240 Vac 50/60 Hz

12 Vdc **115 Vac 60 Hz**

65 W (5.38 A) 65 W (0.76 A)



Only available as
Disponible seulement en version
Disponible solo en version

