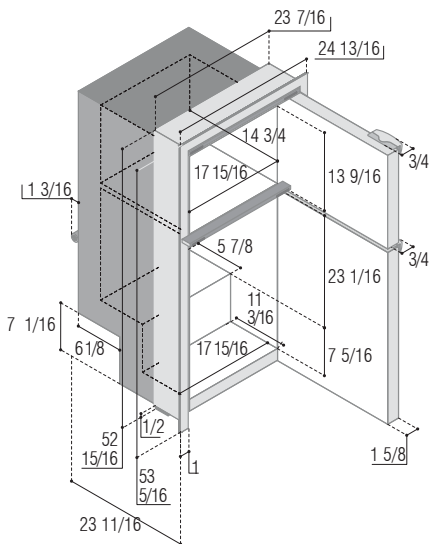


DP2600IBD4-F

Refrigerators and freezers with built-in cooling unit

| | |
|--|----------------------|
| Total volume Capacité total - Capacidad total | 8.1 Cu. Ft. |
| Freezer compartment Compartment freezer - Congelador | 2.1 Cu. Ft. |
| Net weight Poids net - Peso neto | 136.7 Lbs. |
| Power supply and nominal consumption Alimentation et consommation nominale - Alimentación y consumo nominal | |
| 12/24 Vdc | 100-240 Vac 50/60 Hz |
| 12 Vdc | 115 Vac 60 Hz |
| 65 W (5.38 A) | 65 W (0.76 A) |



Only available as
Seulement disponible en
Solo disponible como

