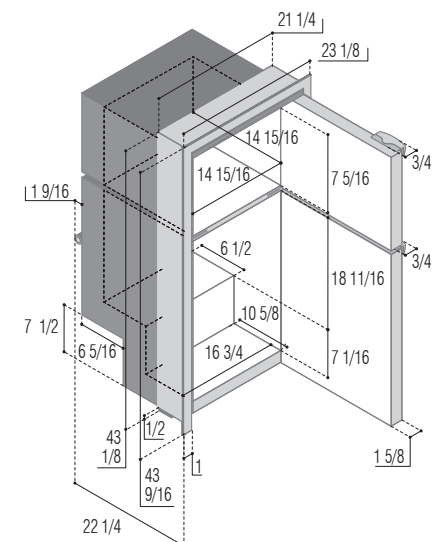




Total volume Capacité total - Capacidad totale	5.3 Cu. Ft.
Freezer compartment Compartiment freezer - Congelador	1.0 Cu. Ft.
Net weight Poids net - Peso neto	94.5 Lbs.
Power supply and nominal consumption	
Alimentation et consommation nominale - Alimentación y consumo nominal	
12/24 Vdc	100-240 Vac 50/60 Hz
12 Vdc	115 Vac 60 Hz
31 W (2.58 A)	31 W (0.44 A)



Only available as
 Seulement disponible en
 Solo disponible como

