

## C85BD4-F



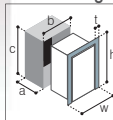
Available as  
Disponible en version - Disponible en version



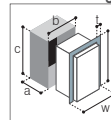
Mounting flange  
Cadre de fixation  
Perfil de fijación

t: 1  
w: 21 9/16  
h: 32 5/8

Flush Flange



Surface Flange



Built-in  
Compartment encastrement  
Alojamiento empotrado

a: 18 1/4  
b: 19 11/16  
c: 31 3/16

a: 16 5/8  
b: 19 11/16  
c: 31 3/16

Total volume  
Capacité totale - Capacidad totala 3.1 Cu. Ft.

Freezer compartment  
Compartment freezer - Congelador 0.3 Cu. Ft.

Net weight  
Poids net - Peso neto 51.8 Lbs.

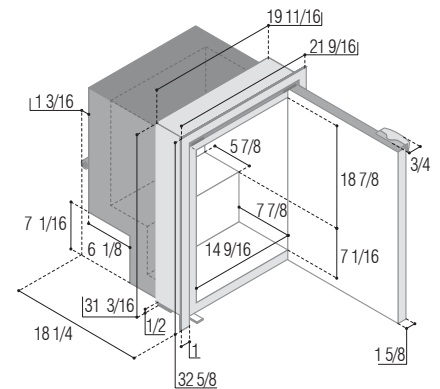
Power supply and nominal consumption

Alimentation et consommation nominale - Alimentación y consumo nominal

12/24 Vdc 100-240 Vac 50/60 Hz

12 Vdc 115 Vac 60 Hz

40 W (3.38 A) 40 W (0.53 A)



## C62IBD4-F



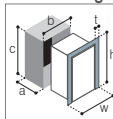
Only available as  
Seulement disponible en  
Solo disponible como



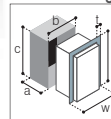
Mounting flange  
Cadre de fixation  
Perfil de fijación

t: 1  
w: 20 3/16  
h: 22 3/8

Flush Flange



Surface Flange



Built-in  
Compartment encastrement  
Alojamiento empotrado

a: 21 13/16  
b: 18 5/16  
c: 21

a: 20 3/16  
b: 18 5/16  
c: 21

Total volume  
Capacité total - Capacidad totala 2.2 Cu. Ft.

Freezer compartment  
Compartment freezer - Congelador 0.2 Cu. Ft.

Net weight  
Poids net - Peso neto 42.3 Lbs.

Power supply and nominal consumption

Alimentation et consommation nominale - Alimentación y consumo nominal

12/24 Vdc 100-240 Vac 50/60 Hz

12 Vdc 115 Vac 60 Hz

40 W (3.38 A) 40 W (0.53 A)

