

C75RXD4-F

Total volume
 Capacité total - Capacidad totale 2.6 Cu. Ft.

Freezer compartment
 Compartiment freezer - Congelador 0.4 Cu. Ft.

Net weight
 Poids net - Peso neto 50.7 Lbs.

Power supply and nominal consumption

Alimentation et consommation nominale

Alimentación y consumo nominal

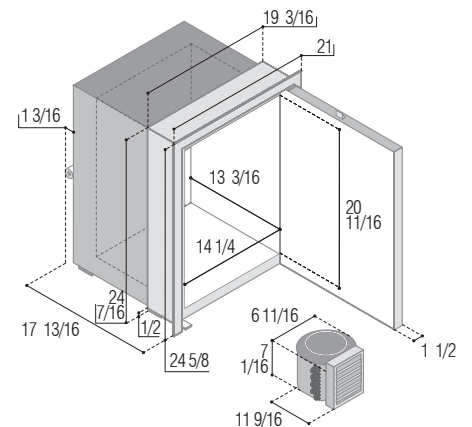
12/24 Vdc 100-240 Vac 50/60 Hz

12 Vdc **115 Vac 60 Hz**

40 W (3.38 A) 40 W (0.53 A)



Available as
 Disponible en version
 Disponible en version



C42RXD4-F

Total volume
 Capacité total - Capacidad totale 1.4 Cu. Ft.

Freezer compartment
 Compartiment freezer - Congelador 0.1 Cu. Ft.

Net weight
 Poids net - Peso neto 37.5 Lbs.

Power supply and nominal consumption

Alimentation et consommation nominale

Alimentación y consumo nominal

12/24 Vdc 100-240 Vac 50/60 Hz

12 Vdc **115 Vac 60 Hz**

31 W (2.58 A) 31 W (0.44 A)



Available as
 Disponible en version
 Disponible en version

