

Stainless steel refrigerators and freezers with built-in cooling unit

C85IXD4-F

Total volume
Capacité totale - Capacidad total 3.2 Cu. Ft.

Freezer compartment
Compartiment freezer - Congelador 0.4 Cu. Ft.

Net weight
Poids net - Peso neto 59.5 Lbs.

Power supply and nominal consumption

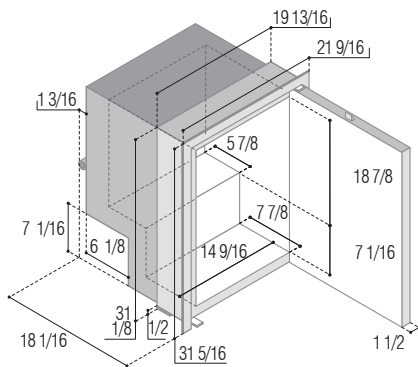
Alimentation et consommation nominale

Alimentación y consumo nominal

12/24 Vdc 100-240 Vac 50/60 Hz

12 Vdc 115 Vac 60 Hz

45 W (3.78 A) 45 W (0.57 A)



Available as
Disponible en version
Disponible en version



C62IXD4-F

Total volume
Capacité total - Capacidad total 2.2 Cu. Ft.

Freezer compartment
Compartiment freezer - Congelador 0.2 Cu. Ft.

Net weight
Poids net - Peso neto 45.0 Lbs.

Power supply and nominal consumption

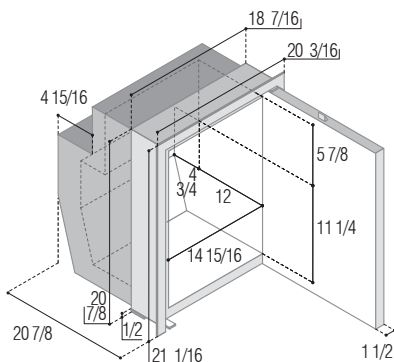
Alimentation et consommation nominale

Alimentación y consumo nominal

12/24 Vdc 100-240 Vac 50/60 Hz

12 Vdc 115 Vac 60 Hz

40 W (3.38 A) 40 W (0.53 A)



Only available as
Disponible seulement en version
Disponible solo en version

