

C85BD4-F



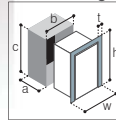
Available as
Disponible en version - Disponible en version



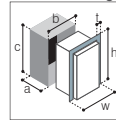
Mounting flange
Cadre de fixation
Perfil de fijación

t: 1
w: 21 9/16
h: 32 5/8

Flush Flange



Surface Flange



Built-in
Compartment encastrement
Alojamiento empotrado

a: 18 1/4
b: 19 11/16
c: 31 3/16

a: 16 5/8
b: 19 11/16
c: 31 3/16

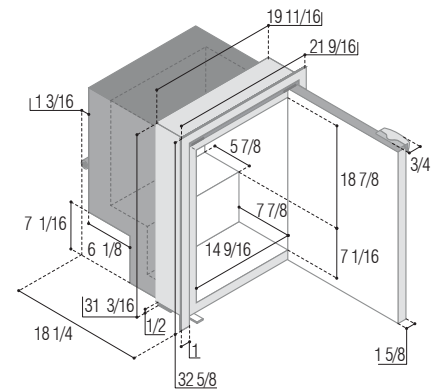
Total volume
Capacité total - Capacidad totale 3.1 Cu. Ft.

Freezer compartment
Compartment freezer - Congelador 0.3 Cu. Ft.

Net weight
Poids net - Peso neto 51.8 Lbs.

Power supply and nominal consumption

Alimentation et consommation nominale - Alimentación y consumo nominal
12/24 Vdc 100-240 Vac 50/60 Hz
12 Vdc **115 Vac 60 Hz**
40 W (3.38 A) 40 W (0.53 A)



C62IBD4-F



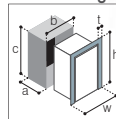
Only available as
Seulement disponible en
Solo disponible como



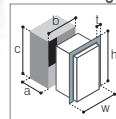
Mounting flange
Cadre de fixation
Perfil de fijación

t: 1
w: 20 3/16
h: 22 3/8

Flush Flange



Surface Flange



Built-in
Compartment encastrement
Alojamiento empotrado

a: 21 13/16
b: 18 5/16
c: 21

a: 20 3/16
b: 18 5/16
c: 21

Total volume
Capacité total - Capacidad totale 2.2 Cu. Ft.

Freezer compartment
Compartment freezer - Congelador 0.2 Cu. Ft.

Net weight
Poids net - Peso neto 42.3 Lbs.

Power supply and nominal consumption

Alimentation et consommation nominale - Alimentación y consumo nominal
12/24 Vdc 100-240 Vac 50/60 Hz
12 Vdc **115 Vac 60 Hz**
40 W (3.38 A) 40 W (0.53 A)

