

Refrigerateurs et congelateurs en acier inox avec unité intérieure

Frigoríficos y congeladores de acero inoxidable con unidad interna



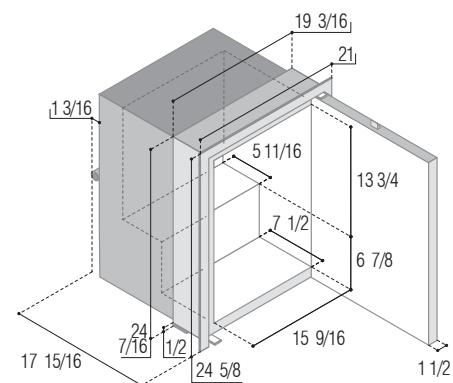
Available as
Disponible en version
Disponible en version



FRIDGE ONLY



FRIDGE+FREEZER



C60IXD4-F

Total volume
Capacité total - Capacidad totale 2.1 Cu. Ft.

Freezer compartment
Compartment freezer - Congelador 0.4 Cu. Ft.

Net weight
Poids net - Peso neto 48.5 Lbs.

Power supply and nominal consumption

Alimentation et consommation nominale

Alimentación y consumo nominal

12/24 Vdc 100-240 Vac 50/60 Hz

12 Vdc **115 Vac 60 Hz**

40 W (3.38 A) 40 W (0.53 A)

C51IXD4-F

Total volume
Capacité total - Capacidad totale 1.8 Cu. Ft.

Freezer compartment
Compartment freezer - Congelador 0.1 Cu. Ft.

Net weight
Poids net - Peso neto 42.3 Lbs.

Power supply and nominal consumption

Alimentation et consommation nominale

Alimentación y consumo nominal

12/24 Vdc 100-240 Vac 50/60 Hz

12 Vdc **115 Vac 60 Hz**

40 W (3.38 A) 40 W (0.53 A)

