

## C75RXD4-F

**Total volume**  
 Capacité total - Capacidad totale 2.6 Cu. Ft.

**Freezer compartment**  
 Compartiment freezer - Congelador 0.4 Cu. Ft.

**Net weight**  
 Poids net - Peso neto 50.7 Lbs.

**Power supply and nominal consumption**

Alimentation et consommation nominale

Alimentación y consumo nominal

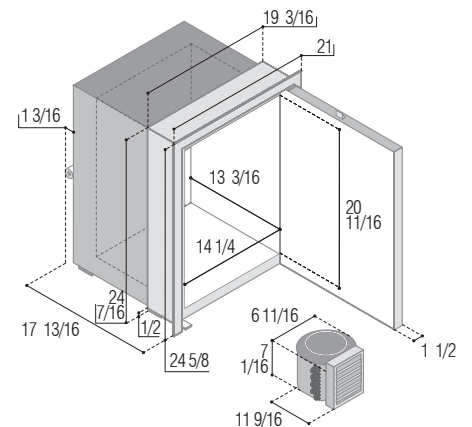
12/24 Vdc 100-240 Vac 50/60 Hz

**12 Vdc** **115 Vac 60 Hz**

40 W (3.38 A) 40 W (0.53 A)



Available as  
 Disponible en version



## C42RXD4-F

**Total volume**  
 Capacité total - Capacidad totale 1.4 Cu. Ft.

**Freezer compartment**  
 Compartiment freezer - Congelador 0.1 Cu. Ft.

**Net weight**  
 Poids net - Peso neto 37.5 Lbs.

**Power supply and nominal consumption**

Alimentation et consommation nominale

Alimentación y consumo nominal

12/24 Vdc 100-240 Vac 50/60 Hz

**12 Vdc** **115 Vac 60 Hz**

31 W (2.58 A) 31 W (0.44 A)



Available as  
 Disponible en version

