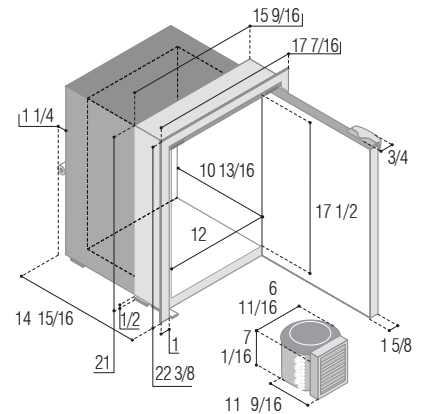




Total volume Capacité totale - Capacidad totale	1.4 Cu. Ft.
Freezer compartment Compartiment freezer - Congelador	0.1 Cu. Ft.
Net weight Poids net - Peso neto	37.5 Lbs.
Power supply and nominal consumption Alimentation et consommation nominale - Alimentación y consumo nominal	
12/24 Vdc	100-240 Vac 50/60 Hz
12 Vdc	115 Vac 60 Hz
31 W (2.58 A)	31 W (0.44 A)



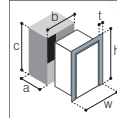
Available as
Disponible en version - Disponible en version



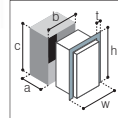
Mounting flange
Cadre de fixation
Perfil de fijación

t: 1
w: 17 7/16
h: 22 3/8

Flush Flange



Surface Flange



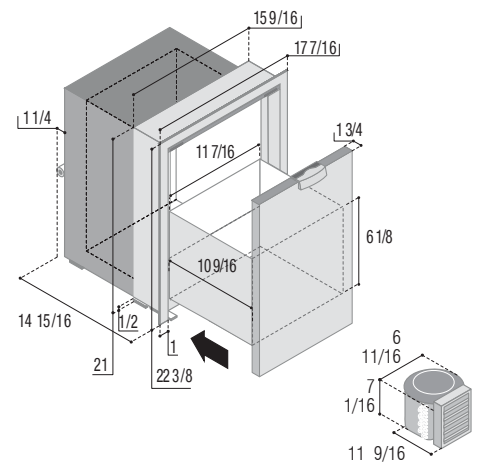
Built-in
Compartiment encastré
Alojamiento empotrado

a: 14 15/16
b: 15 9/16
c: 21

a: 13 1/4
b: 15 9/16
c: 21



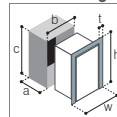
Total volume Capacité totale - Capacidad totale	1.4 Cu. Ft.
Freezer compartment Compartiment freezer - Congelador	0.1 Cu. Ft.
Net weight Poids net - Peso neto	41.9 Lbs.
Power supply and nominal consumption Alimentation et consommation nominale - Alimentación y consumo nominal	
12/24 Vdc	100-240 Vac 50/60 Hz
12 Vdc	115 Vac 60 Hz
31 W (2.58 A)	31 W (0.44 A)



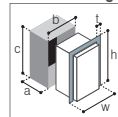
Mounting flange
Cadre de fixation
Perfil de fijación

t: 1
w: 17 7/16
h: 22 3/8

Flush Flange



Surface Flange



Built-in
Compartiment encastré
Alojamiento empotrado

a: 14 15/16
b: 15 9/16
c: 21

a: 13 1/4
b: 15 9/16
c: 21

