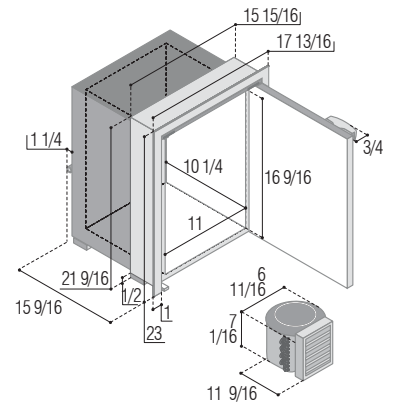




Total volume - Capacité total - Capacidad total	1.2 Cu. Ft.	
Net Weight - Poids net - Peso neto	41.9 lbs.	
Power supply Alimentation Alimentación	12/24 Vdc 100-240 Vac 50/60 Hz	
Nominal consumption Consommation nominale Consumo nominal	12 Vdc 38 W (3.18 A)	115 Vac 60 Hz 38 W (0.51 A)

Mounting flange Cadre de fixation Perfil de fijación	Flush Flange	Surface Flange
t: 1 w: 17 13/16 h: 23		
Built-in Compartment encastrement Alojamiento empotrado	a: 15 9/16 b: 15 15/16 c: 21 9/16	a: 13 7/8 b: 15 15/16 c: 21 9/16



Total volume - Capacité total - Capacidad total	1.0 Cu. Ft.	
Net Weight - Poids net - Peso neto	48.5 lbs.	
Power supply Alimentation Alimentación	12/24 Vdc 100-240 Vac 50/60 Hz	
Nominal consumption Consommation nominale Consumo nominal	12 Vdc 38 W (3.18 A)	115 Vac 60 Hz 38 W (0.51 A)

Mounting flange Cadre de fixation Perfil de fijación	Flush Flange	Surface Flange
t: 1 w: 23 1/8 h: 14 15/16		
Built-in Compartment encastrement Alojamiento empotrado	a: 21 15/16 b: 21 1/4 c: 13 1/2	a: 20 1/4 b: 21 1/4 c: 13 1/2

