

C115IXD4-F

Total volume
 Capacité total - Capacidad totale 4.2 Cu. Ft.

Freezer compartment
 Compartiment freezer - Congelador 0.6 Cu. Ft.

Net weight
 Poids net - Peso neto 66.1 Lbs.

Power supply and nominal consumption

Alimentation et consommation nominale

Alimentación y consumo nominal

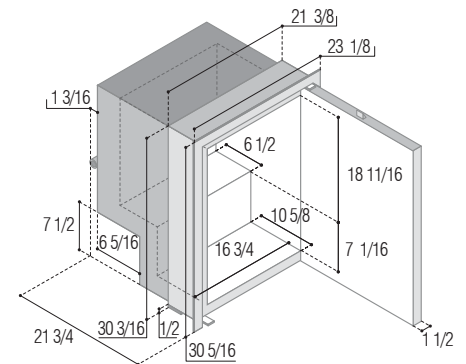
12/24 Vdc 100-240 Vac 50/60 Hz

12 Vdc **115 Vac 60 Hz**

45 W (3.78 A) 45 W (0.57 A)



Available as
 Disponible en version
 Disponible en version



C90IXD4-F

Total volume
 Capacité total - Capacidad totale 3.1 Cu. Ft.

Freezer compartment
 Compartiment freezer - Congelador 0.3 Cu. Ft.

Net weight
 Poids net - Peso neto 51.1 Lbs.

Power supply and nominal consumption

Alimentation et consommation nominale

Alimentación y consumo nominal

12/24 Vdc 100-240 Vac 50/60 Hz

12 Vdc **115 Vac 60 Hz**

45 W (3.78 A) 45 W (0.57 A)



Only available as
 Disponible seulement en version
 Disponible solo en version

